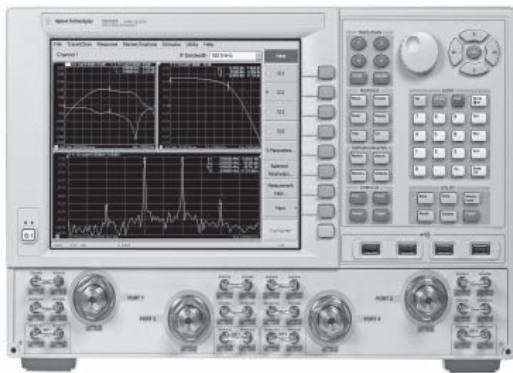


Agilent PNA Series Microwave Network Analyzers

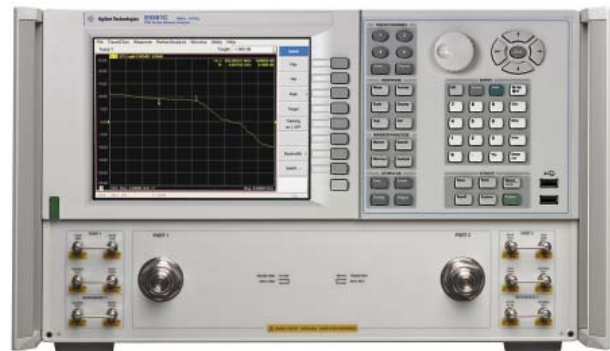
Configuration Guide

PNA-L N5230C	300 kHz to 6, 13.5, or 20 GHz
PNA-L N5230C	10 MHz to 20, 40, or 50 GHz
PNA-X N5242A	10 MHz to 26.5 GHz
PNA E8362C	10 MHz to 20 GHz
PNA E8363C	10 MHz to 40 GHz
PNA E8364C	10 MHz to 50 GHz
PNA E8361C	10 MHz to 67 GHz
PNA N5250C	10 MHz to 110 GHz



System configuration summary

This summary lists the main components required to form a basic measurement system. Options or peripherals may be added to provide enhanced measurement and data storage capability.



Full S-parameter measurements

- **Agilent PNA Series microwave network analyzers**
- **Test port cables, 50 ohms**
- **Calibration kit for applicable connector type**

This configuration guide describes standard configurations, options, accessories, upgrade kits and compatible peripherals for the PNA Series microwave network analyzers. This guide should be used with the *Agilent PNA Series Microwave Network Analyzers Data Sheet* for a complete description of these analyzers.



PNA-L Network Analyzers N5230C

Options

To add options to a product, order the corresponding item number.

	Description	For N5230C	Additional information
Frequency range and test set (Mandatory, choose only one)			
Option 020	300 kHz–6 GHz 2-port standard test set	N5230C-020	
Option 025	300 kHz–6 GHz 2-port configurable test set and extended power range	N5230C-025	
Option 120	300 kHz–13.5 GHz 2-port standard test set	N5230C-120	
Option 125	300 kHz–13.5 GHz 2-port configurable test set and extended power range	N5230C-125	
Option 140	300 kHz–13.5 GHz 4-port standard test set	N5230C-140	
Option 145	300 kHz–13.5 GHz 4-port configurable test set and extended power range	N5230C-145	
Option 146	300 kHz–13.5 GHz 4-port configurable test set, extended power range and internal second source	N5230C-146	Option 080 recommended
Option 220	10 MHz–20 GHz 2-port standard test set	N5230C-220	
Option 225	10 MHz–20 GHz 2-port configurable test set and extended power range	N5230C-225	
Option 240	300 kHz–20 GHz 4-port standard test set	N5230C-240	
Option 245	300 kHz–20 GHz 4-port configurable test set and extended power range	N5230C-245	
Option 246	300 kHz–20 GHz 4-port configurable test set, extended power range and internal second source	N5230C-246	Option 080 recommended
Option 420	10 MHz–40 GHz 2-port standard test set	N5230C-420	
Option 425	10 MHz–40 GHz 2-port configurable test set and extended power range	N5230C-425	
Option 520 ¹	10 MHz–50 GHz 2-port standard test set	N5230C-520	
Option 525 ¹	10 MHz–50 GHz 2-port configurable test set and extended power range	N5230C-525	
Measurement applications			
Option 010	Time domain for 6 GHz model	N5231C-010	
Option 010	Time domain for 13.5, 20, 40 or 50 GHz model	N5230C-010	
Option 080	Frequency offset measurements	N5230C-080	
Option 082	Scalar-calibrated converter measurements	N5230C-082	Option 080 required
Option 550 ²	4-port measurement application	N5230C-550	Not available on 4-port models
Option 551 ²	N-port capabilities for 6, 13.5 or 20 GHz model	N5231C-551	
Option 551 ²	N-port capabilities for 40 or 50 GHz model	N5230C-551	
Accessories			
Option 1CM	Rack mount kit without handles	N5230C-1CM	
Option 1CP	Rack mount kit with handles	N5230C-1CP	
N4688A	USB CD R/W drive	N4688A	
N4689A	USB hub	N4689A	
Calibration documentation			
Option 1A7	ISO 17025 compliant calibration	N5230C-1A7	
Option A6J	ANSI Z540 compliant calibration	N5230C-A6J	
Option UK6	Commercial calibration certificate with test data	N5230C-UK6	
Calibration software for self-maintainers			
Option 897 ³	Perpetual license for built-in performance test software for Agilent inclusive calibration	N5230C-897	
Option 898 ³	Perpetual license for built-in performance test software for standards compliant calibration	N5230C-898	

1. Not available in all countries

2. Option 550 is a subset of 551 -- they cannot be ordered together

3. Additional hardware required. Please refer to the analyzer's Service Guide for required service test equipment.

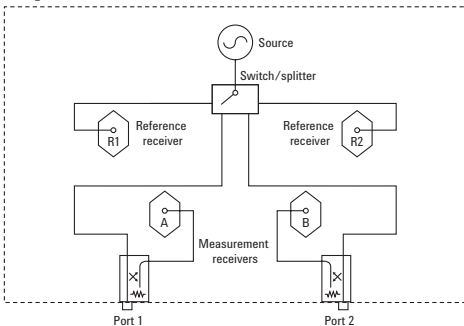
PNA-L (N5230C)

The PNA-L is an integrated vector network analyzer equipped with a built-in S-parameter test set, one or two synthesized sources used for device stimulus, a hard disk drive, USB interfaces, and an 8.4" LCD color touch screen display. 40 and 50 GHz models have 2.4 mm ruggedized male 50-ohm connectors, while all other models have 3.5 mm ruggedized male 50-ohm connectors. Included with each instrument is a mouse, keyboard (U.S.) and a 1-year return-to-Agilent service warranty.

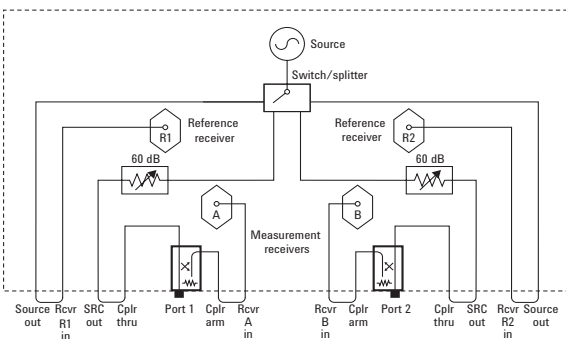
Test set options

- Standard test set and power range (Option xx0)**
 The 13.5 and 20 GHz versions are available in 2- or 4-ports.
- Configurable test set and extended power range (Option xx5)**
 Adds front panel access loops and one or two 60 dB step attenuators as shown in the figures below. This provides the capability to improve instrument sensitivity for measuring low-level signals, to reverse the directional couplers to achieve even more dynamic range or to add components and other peripheral instruments for a variety of measurement applications. The 13.5 and 20 GHz versions are available in 2- or 4-ports.
- Configurable test set, extended power range and internal second source (Option x46)**
 Available with 4-port models only, this option adds an internal second source, nine front panel access loops and two 60 dB step attenuators as shown in the figure below. This provides an additional signal (fixed or swept) for two-tone third-order-intercept (TOI) and intermodulation testing of amplifiers; or it can be used as a fast swept-LO signal for fixed-IF testing of mixers and converters. In either case, sweep speed is more than twenty times faster than using an external source (Option 080 recommended. *Please note, Option 080 is needed in order to have independent control of the two internal sources.*)

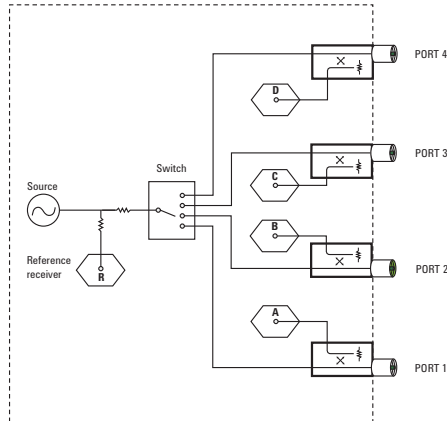
2-port standard test set



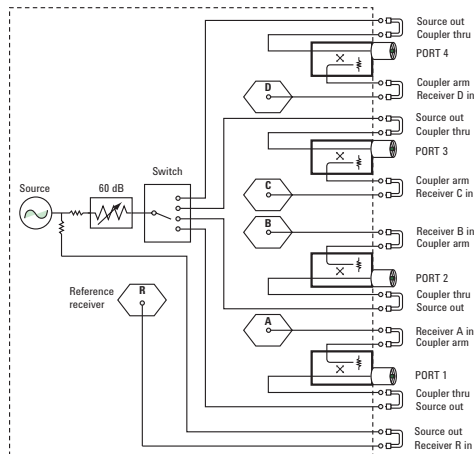
2-port configurable test set and extended power range



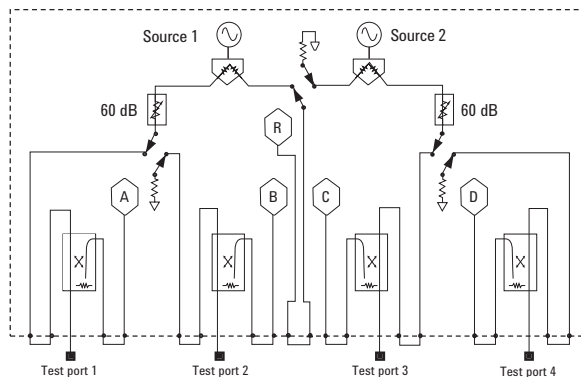
4-port standard test set



4-port configurable test set and extended power range



4-port configurable test set, extended power range and internal second source



PNA-L (N5230C)

Additional options

Time domain (Option 010)

This option enables the PNA Series to view reflection and transmission responses in both time or distance domain. Use time domain to tune filters, gate out the response of fixtures and cables, characterize the impedance of transmission line, and more.

Frequency offset (Option 080)

This option enables the PNA Series to set the source frequency independently from where the receivers are tuned. This ability is important for two general classes of devices: mixers (and converters) and amplifiers.

Scalar-calibrated converter measurements (Option 082)

With a simple setup and calibration, this application provides the highest accuracy for conversion-loss (or gain) measurements by combining one-port and power-meter calibrations to remove mismatch errors. Option 080 required.

4-port measurement application (Option 550)

Enables full 4-port error correction and differential measurements on a 2-port network analyzer with configurable test set (Option x25). External test set required. User installable.

N-port capabilities (Option 551)

Adds full N-port error correction and measurement capabilities to any PNA-L network analyzer with configurable test set (Option xx5 or x46). External test set required. User installable.

Certification options

Commercial calibration certification with test data (Option UK6)

Complete set of measurements which tests unit to manufacturer's published specifications. Includes calibration label, calibration certificate, and data report. Conforms to ISO 9001.

ISO 17025 compliant calibration (Option 1A7)

Complete set of measurements which tests unit to manufacturer's published specifications. Includes calibration label, ISO 17025 calibration certificate, and data report, measurement uncertainties and guardbands on all customer specifications. Conforms to ISO 17025 and ISO 9001.

ANSI Z540 compliant calibration (Option A6J)

Complete set of measurements which tests unit to manufacturer's published specifications. Includes pre- and post-adjustment data with measurement uncertainty information compliant to the ANSI/NCSL Z540 standard.

Warranty and service

1-, 3-, and 5-year warranty and service plans are available at the time of instrument purchase. Standard warranty is 1 year.

Documentation

The PNA Series instruments are equipped with an Online Help system available within the instrument in the following languages: English, Japanese, Chinese, German, Spanish, and French. Service guides and the Online Help system are available on the web: www.na.tm.agilent.com/pna

Calibration Software Licenses

Perpetual license for built-in performance test software for Agilent inclusive cal (Option 897)

Adds built-in performance testing and calibration software for self-maintainers. Requires additional equipment. See the analyzer's Service Guide for more information on equipment required.

Perpetual license for built-in performance test software for Standards compliant cal (Option 898)

Adds built-in performance testing and calibration software for self-maintainers. Requires additional equipment. See the analyzer's Service Guide for more information on equipment required.

PNA-X Network Analyzers N5242A , 10 MHz to 26.5 GHz, 2 or 4 Ports

Options

To add options to a product, order the corresponding item number.

	Description	For N5242A	Additional information
Test set			
Option 200	2 ports, single source	N5242A-200	
Option 224	2 ports, add internal 2nd source, combiner and mechanical switches	N5242A-224	Requires Options 200, 219 and 080
Option 400	4 ports, dual source	N5242A-400	Recommends Option 080
Option 423	4 ports, add internal combiner and mechanical switches	N5242A-423	Requires Options 400, 419, and 080
Power configuration			
Option 219	2 ports, extended power range and bias-tees	N5242A-219	Requires Option 200
Option 419	4 ports, extended power range and bias-tees	N5242A-419	Requires Option 400
Option H85	High-power configuration	N5242AH85	Requires Option 080
Measurement applications			
Option 010	Time-domain measurements	N5242A-010	
Option 029 ¹	Fully-corrected noise figure measurements	N5242A-029	Requires one of these options: 219, 224, 419 or 423
Option 080	Frequency offset	N5242A-080	
Option 082 ²	Scalar-calibrated converter measurements	N5242A-082	Requires Option 080
Option 083 ²	Vector- and scalar-calibrated converter measurements	N5242A-083	Requires Option 080
Option 084	Embedded LO measurements	N5242A-084	Requires Options 080 and 083, requires firmware A.07.50 and above
Option 086	Gain compression application	N5242A-086	Recommend Options 219 or 419, requires firmware A.08.00 and above
Option 551 ³	N-port capabilities	N5242A-551	
Pulse, antenna, mm-wave			
Option H08	Pulse measurements	N5242A-H08	Requires Option 025
Option 020	Add IF inputs for antenna and mm-wave	N5242A-020	
Option 021	Add pulse modulator to internal 1st source	N5242A-021	
Option 022	Add pulse modulator to internal 2nd source	N5242A-022	Requires Options 224 or 400
Option 025	Add four internal pulse generators	N5242A-025	
Accessories			
Option 1CM	Rack mount kit for use without handles	N5242A-1CM	
N1966A	Pulse I/O adapter	N1966A	
N4688A	USB CD R/W drive	N4688A	
N4689A	USB Hub	N4689A	
Calibration Software			
Option 897 ⁴	Perpetual license for built-in performance test software for Agilent inclusive calibration	N5242A-897	
Option 898 ⁴	Perpetual license for built-in performance test software for standards compliant calibration	N5242A-898	
Calibration documentation			
Option 1A7	ISO 17025 compliant calibration	N5242A-1A7	
Option UK6	Commercial calibration certificate with test data	N5242A-UK6	
Option A6J	ANSI Z540 compliant calibration	N5242A-A6J	

1. In addition to the list of required PNA-X options, Option 029 requires an N4691B ECal module for use as an impedance tuner, and an Agilent 346 series noise source for calibration.

2. Option 082 is a subset of Option 083, and therefore, they cannot be ordered together.

3. When configured as a multipoint analyzer using Option 551, the combiner feature of Option 224 or 423 is temporarily disabled. When configured as a standalone analyzer, the combiner feature is enabled.

4. Additional hardware required. Please refer to chapter 2 of the Service Guide for required service test equipment.

PNA-X Network Analyzer

The PNA-X is an integrated vector network analyzer featuring a built-in S-parameter test set, one or two synthesized sources used for device stimulus, a hard disk drive, USB interfaces, and a 10.4" LCD touch screen display. The N5242A analyzer has 50 ohm, ruggedized 3.5 mm (m) test ports. Included with each instrument is a mouse, keyboard (U.S. style), and a 1-year return-to-Agilent service warranty.

- **N5242A** network analyzer, 10 MHz to 26.5 GHz, 2 or 4 ports

Test set options

- **2-port standard test set and power range (Option 200)**

The standard 2-port test set comes with six front-panel access loops. The loops provide access to the signal path between (a) the source output and the reference receiver, (b) the source output and directional coupler thru arm and (c) the coupled arm of the directional coupler and the port receiver. The standard test set also includes a solid-state internal RF transfer switch in the R1 reference-receiver path.
- **4-port standard test set, power range and an internal second source (Option 400)**

The standard 4-port test set comes with 12 front-panel access loops and a built-in second source. The loops provide access to the signal path between (a) the source output and the reference receiver, (b) the source output and directional coupler thru arm and (c) the coupled arm of the directional coupler and the port receiver. The internal second source provides an additional signal (fixed or swept) for two-tone third-order-intercept (TOI) and intermodulation testing of amplifiers, or it can be used as a fast swept-LO signal for fixed-IF testing of mixers and converters. With two sources, source 1 is accessible through test ports 1 and 2, and source 2 is accessible through test ports 3 and 4. The standard test set also includes a solid-state internal RF transfer switch in the R1 reference-receiver path. Recommends Option 080.
- **Extended power range and bias-tees (Option 219, 419)**

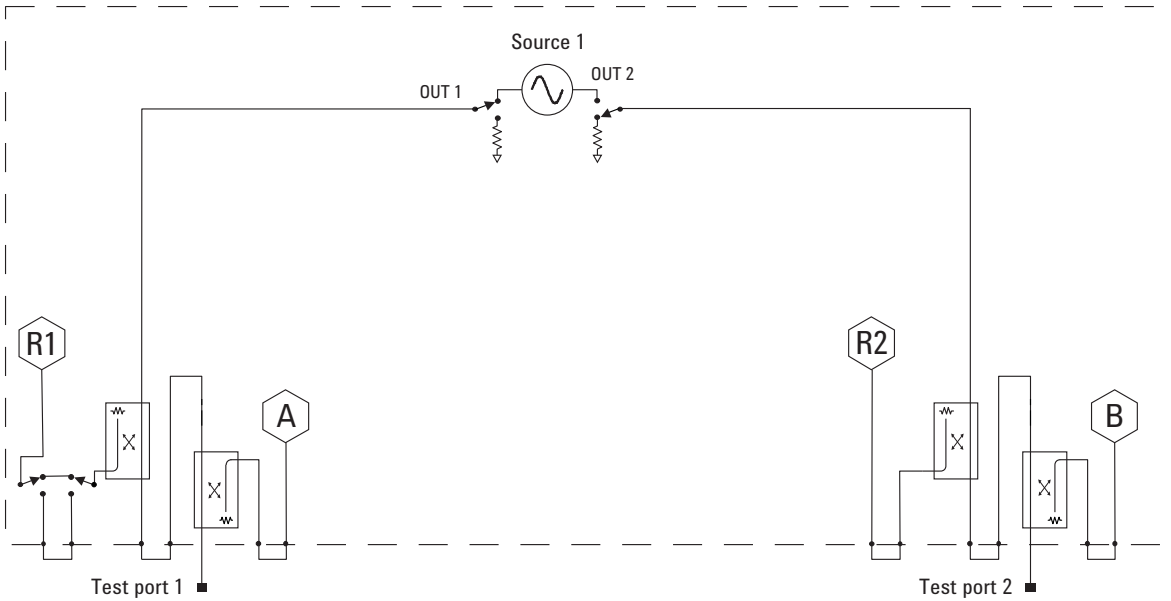
Adds to the standard test set one 65 dB source attenuator (settable in 5 dB increments), one 35 dB receiver attenuator (settable in 5 dB increments), and one bias-tee to each test port. Option 219 requires Option 200, and Option 419 requires Option 400.
- **Add an internal second source, a combiner and mechanical switches to 2-port analyzer (Option 224)**

Available with 2-port model only, this option adds an internal second source, a combiner and mechanical switches. The internal second source provides an additional signal (fixed or swept) for two-tone third-order-intercept (TOI) and intermodulation testing of amplifiers, or it can be used as a fast swept-LO signal for fixed-IF testing of mixers and converters. The mechanical switches provide increased flexibility by having rear panel access to signal paths for advanced applications. Access to the second source is available through two output (SMA) connectors on the front panel. Requires Options 200, 219 and 080.
- **Add an internal combiner and mechanical switches to 4-port analyzer (Option 423)**

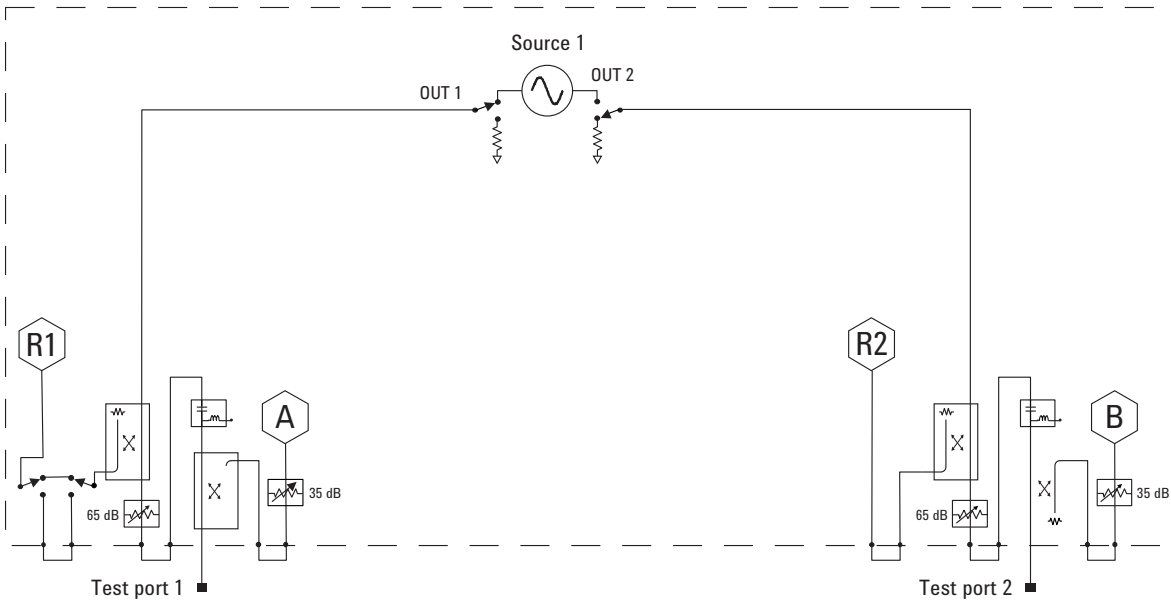
Available with 4-port model only, this option adds a combiner and mechanical switches. The mechanical switches provide increased flexibility by having rear panel access to signal paths for advanced applications. Requires Options 400, 419 and 080.

PNA-X Network Analyzer

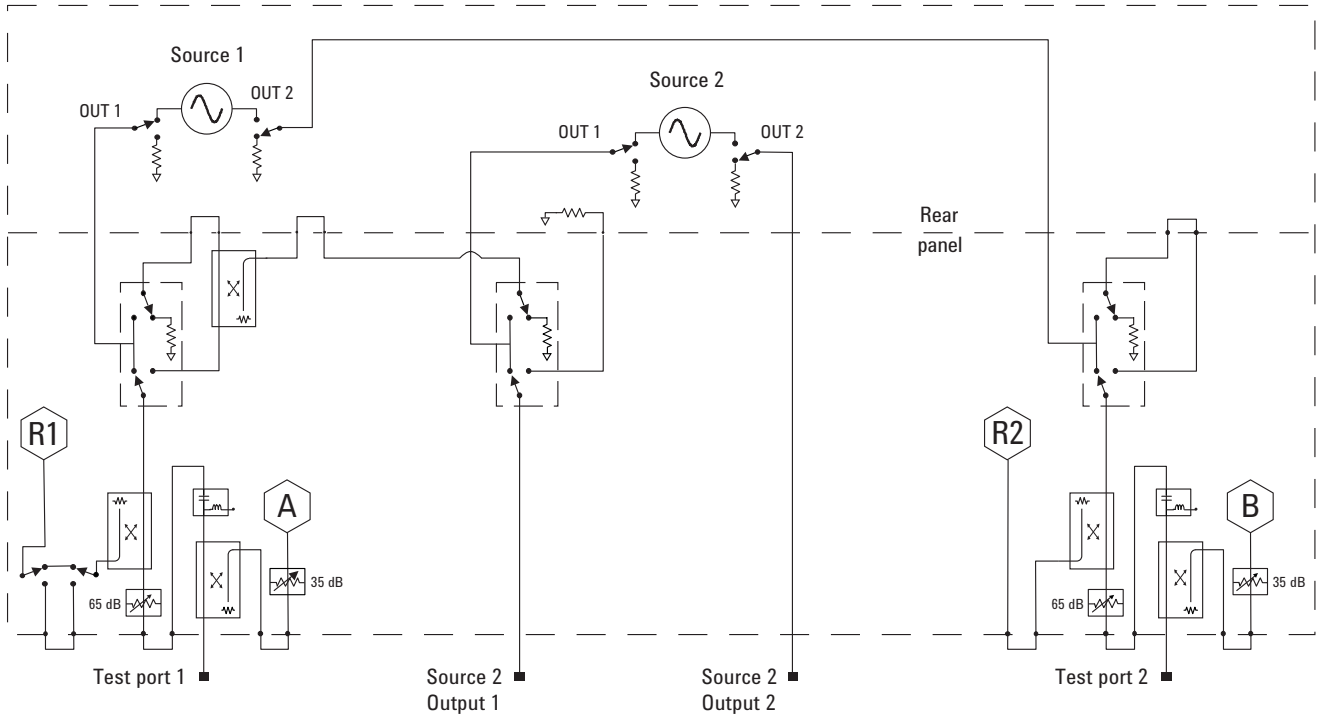
2-port standard test set and power range (Option 200)



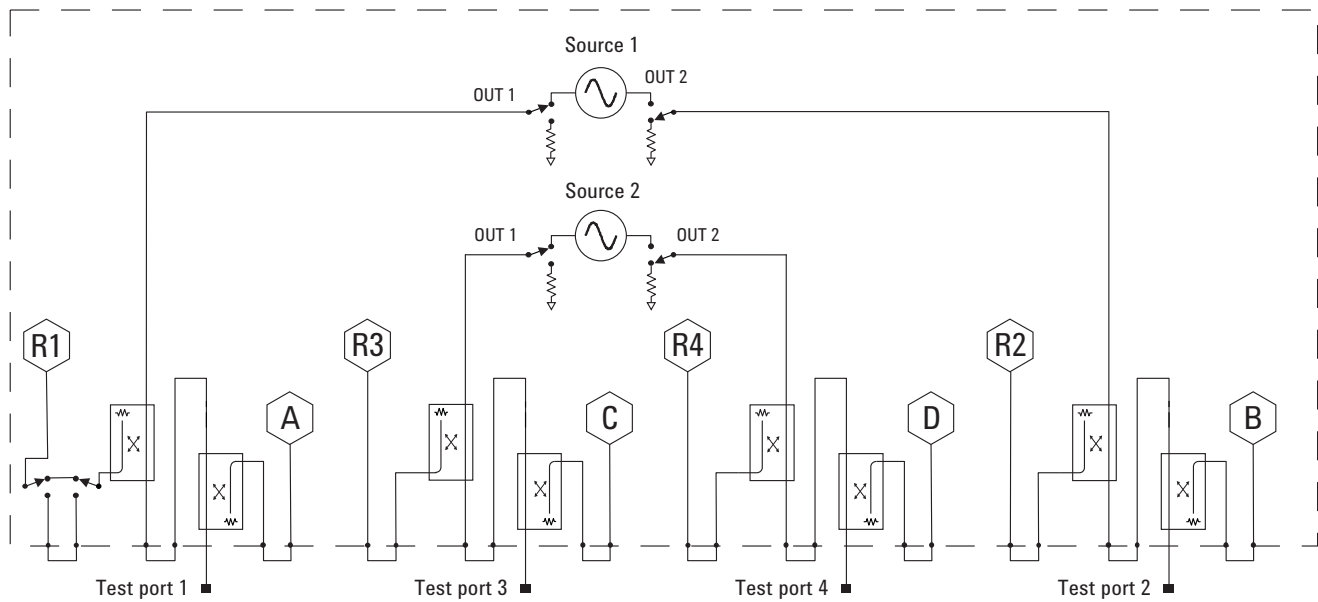
2-port extended power range and bias-tees (Option 219, requires Option 200)



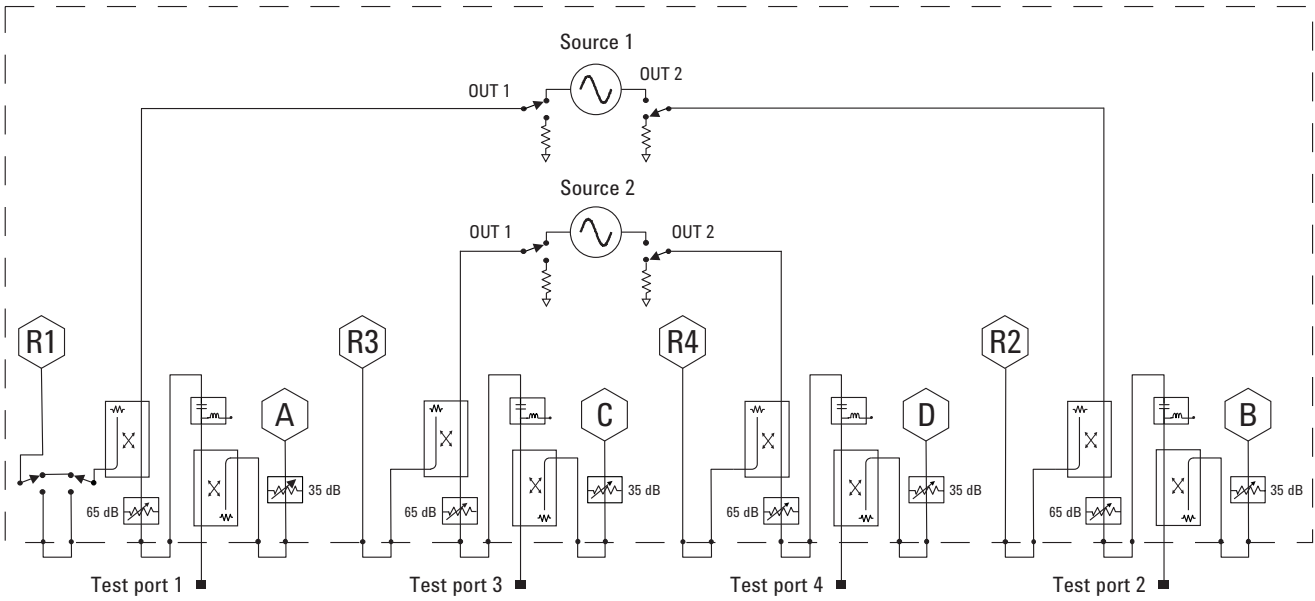
**Add an internal second source, a combiner, and mechanical switches to 2-port analyzer
(Option 224 requires Options 200, 219 and 080)**



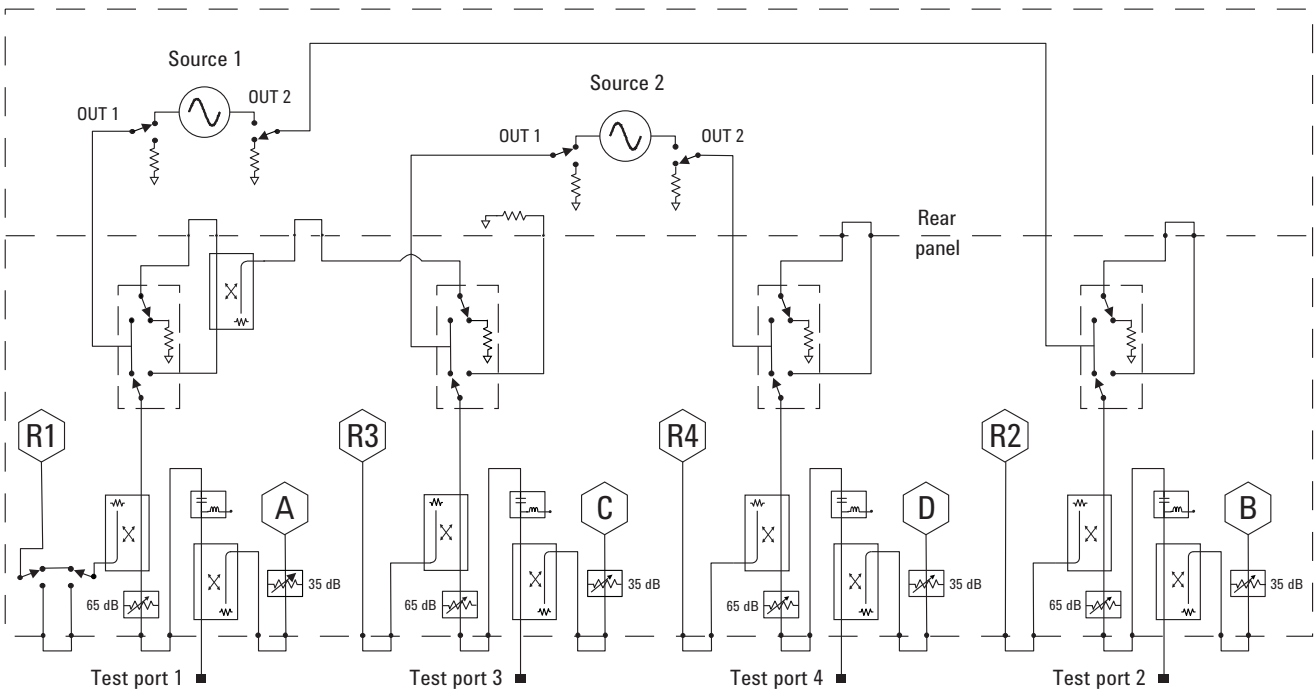
4-port standard test set, power range, and an internal second source (Option 400, recommends Option 080)



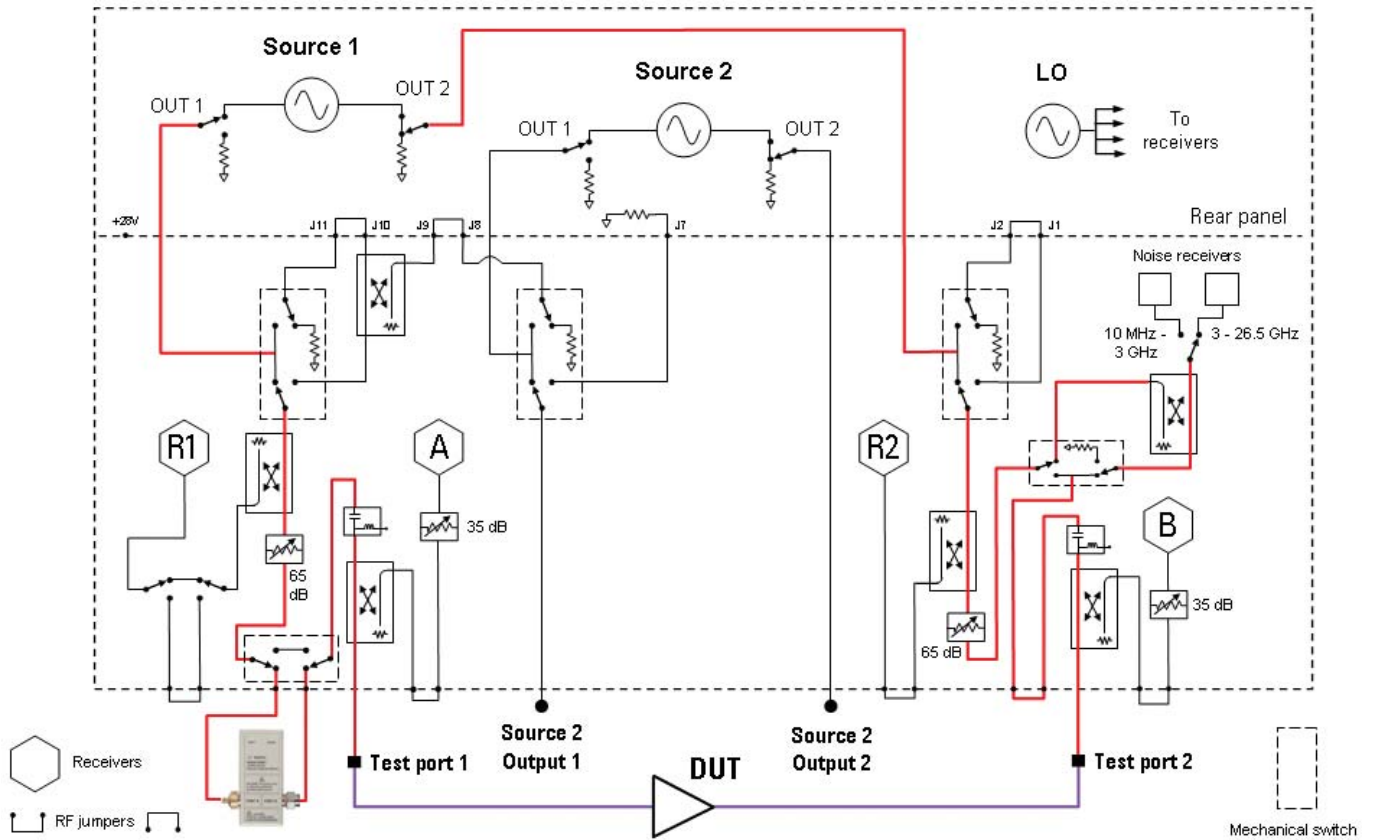
4-port extended power range and bias-tees (Option 419, requires Option 400)



Add an internal combiner and mechanical switches to 4-port analyzer (Option 423 requires Options 400, 419 and 080)



2-port PNA-X with noise figure hardware (shown with Options 200, 219, 224, and 029).
On 4-port analyzers (Option 419 or 423) with Option 029, ports 1 and 2 are the same as shown here.



PNA-X Network Analyzer

Additional options

Pulse measurements (Option H08)

This option provides software to set up and control pulsed-RF measurements with point-in-pulse and pulse-profile capability. The software sets the coefficient of the PNA-X's digital-IF filters to null out unwanted spectral components, enables the receiver IF gates on the rear panel, controls internal pulse generators (Option 025), internal pulse modulators (Option 021 and/or 022) or external pulse modulators, and optimization for measurement sensitivity. The measurement software can run on the PNA-X or an external computer. A ".dll" file containing the IF-filter algorithms is included for automated pulsed-RF testing. The N1966A pulse I/O adapter is recommended if using external pulse generators and/or external pulse modulators.

Time domain (Option 010)

This option enables the PNA-X to view reflection and transmission responses in time or distance. Use time domain to tune filters, gate out the response of fixtures and cables, characterize the impedance of transmission lines and more.

Add IF inputs for antenna and millimeter-wave (Option 020)

This option enables external IF inputs on the rear panel of the PNA-X for applications such as antenna and millimeter-wave test.

Add pulse modulator to internal first source (Option 021)

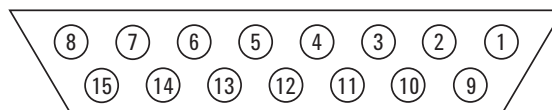
This option enables the internal pulse modulator on source 1. Control of the modulator can also be done via pin 8 of the Pulse I/O D-sub connector on the rear panel of the PNA-X using an external pulse generator, or by using one of the internal pulse generators (Option 025). The N1966A pulse I/O adapter is recommended if using an external pulse generator. (See diagram below for details of the D-sub connector.)

Add pulse modulator to internal second source (Option 022)

This option enables the internal pulse modulator on source 2. Control of the modulator can also be done via pin 8 of the Pulse I/O D-sub connector on the rear panel of the PNA-X using an external pulse generator, or by using one of the internal pulse generators (Option 025). The N1966A pulse I/O adapter is recommended if using an external pulse generator. Option 224 or 400 required. (See diagram below for details of the D-sub connector.)

Add four internal pulse generators (Option 025)

This option enables four internal pulse generators. These pulse generators can be used to control the internal pulse modulators and internal receiver IF gates, and are also available on pins 10 through 13 of the Pulse I/O D-sub connector on the rear panel of the PNA-X to control external modulators and/or gates. The N1966A pulse I/O adapter is recommended if using external pulse modulators. (See diagram below for details of the D-sub connector.)



Pulse I/O D-sub connector (DB-15 female)

Fully-corrected noise figure measurements (Option 029)

This option adds hardware and firmware for high-accuracy noise figure measurements, utilizing Agilent's unique source-correction technique. Using the PNA-X and an Agilent ECal module configured as an impedance tuner, the effects of imperfect system source match are removed, greatly improving the accuracy of the cold-source technique. This approach surpasses the accuracy provided by the Y-factor method. This option requires an N4691B ECal module (m-f recommended) and a 346-series noise source (both must be ordered or supplied separately). During calibration of the analyzer, an additional ECal or mechanical calibration kit is required (also must be ordered or supplied separately). The noise source is only used during calibration of the analyzer. To use the ECal module as a tuner, Option 029 includes a cable (N5242-20137) and 3.5 mm m-f adapter (85052-60013) for use with m-f modules (N4691B-M0F). For use with f-f ECal modules (N4691B-00F), order a 3.5 mm m-m adapter (85052-60014).

Frequency offset (Option 080)

This option enables the PNA-X to set the source frequency independently from where the receivers are tuned. This ability is important for measuring amplifiers, mixers, and frequency converters.

Scalar-calibrated converter measurements (Option 082)

With a simple setup and calibration, this application delivers the highest accuracy for conversion-loss (or gain) magnitude measurements by combining one-port and power-meter calibrations to remove mismatch errors. This application provides an intuitive and easy-to-use user interface for setting up mixer and converter measurements, with single or dual conversion stages (up to two local oscillators, LO), along with control of up to two external signal generators for use as LO. External synthesizers supported include the Agilent ESG series and the PSG series of signal source families as well as other SCPI controlled signal generators. Option 082 requires Option 080, and cannot be ordered with Option 083.

PNA-X Network Analyzer

□ Vector- and scalar-calibrated converter measurements (Option 083)

This converter measurement is a superset and includes not only the scalar-calibrated converter measurement, but also the vector-mixer calibration (VMC). The advanced and unique VMC delivers exceptional conversion loss amplitude and phase accuracy for mixer and converter measurements. This application provides an intuitive and easy-to-use user interface for setting up mixer and converter measurements, with single or dual conversion stages (up to two LO's), along with control of up to two external signal generators for use as LO. External synthesizers supported include the Agilent ESG series and the PSG series of signal source families as well as other SCPI controlled signal generators. Option 083 requires Option 080, and cannot be ordered with Option 082.

□ Embedded LO measurements (Option 084)

Advanced software tuning that provides absolute group delay of converters with embedded LOs without the need for access to a common reference signal. The measurement result is the same as locking the DUT LO to the reference mixer LO. (Option 080 and 083 required) Requires firmware A.07.50 and above.

□ Gain compression application (Option 086)

The Gain Compression Application (GCA) provides input power, output power, gain, and phase at an amplifier's compression point, over a specified frequency and power range. GCA's SMART Sweep is very fast and easy-to-use. GCA also includes a guided calibration that corrects for absolute power levels, frequency response, and mismatch errors. Requires firmware A.08.00 and above

□ N-port capabilities (Option 551)¹

Adds full N-port error correction and measurement capabilities to the PNA-X network analyzer. External test set is required.

□ High-power test set (Model 5242AH85)

With the standard test set configurations that include source attenuators, the internal bias tees limit the maximum test port power to +30 dBm. Model H85 removes the bias tees between the source attenuators and the test port couplers. This extends the maximum port power that the analyzer can safely handle to +43 dBm. Model H85 requires Option 080.

□ Rack mount kit without handles (Option 1CM)

Adds a rack mount (5063-9217) and rail kit (E3663AC) for use without handles.

□ Pulse I/O adapter (N1966A)

An adapter for connecting between the Pulse I/O connector on the rear panel of the PNA-X and the coaxial inputs and outputs of external pulse generators and external pulse modulators. Coaxial connectors are SMB-male. (See diagram below for details of the Pulse I/O adapter.

The PULSE IN connectors are for controlling the PNA-X's internal IF gates, which are enabled with Option H08 and used with narrowband detection. The PULSE OUT connectors are from the PNA-X's four internal pulse generators, which are enabled with Option 025. The PULSE SYNC IN connector is used to synchronize the internal pulse generators with an external timing pulse. The RF PULSE MOD IN connector controls the internal pulse modulator(s) which are enabled with Options 021 and 022.



Pulse I/O adapter (N1966A) simplifies connections

1. When configured as a multiport analyzer using Option 551, the combiner feature of Option 224 or 423 is temporarily disabled. When configured as a standalone analyzer, the combiner feature is enabled.

PNA-X Network Analyzer

Certification options

Commercial calibration certificate with test data (Option UK6)

Complete set of measurements which tests unit to manufacturer's published specifications. Includes calibration label, calibration certificate, and data report. Conforms to ISO 9001.

ISO 17025 compliant calibration (Option 1A7)

Complete set of measurements which tests unit to manufacturer's published specifications. Includes calibration label, ISO 17025 calibration certificate, and data report, measurement uncertainties and guardbands on all customer specifications. Conforms to ISO 17025 and ISO 9001.

ANSI Z540 compliant calibration (Option A6J)

Complete set of measurements which tests unit to manufacturer's published specifications. Includes pre- and post-adjustment data with measurement uncertainty information compliant to the ANSI/NCSS Z540 standard.

Warranty and service

1-, 3- and 5-year warranty and service plans are available at time of instrument purchase. Standard warranty is 1 year.

PNA Network Analyzers¹ E8361C/62C/63C/64C, N5250C

PNA	(highest performance series)	PNA	(highest performance series)
E8362C	10 MHz to 20 GHz	E8361C	10 MHz to 67 GHz
E8363C	10 MHz to 40 GHz	N5250C ²	10 MHz to 110 GHz
E8364C	10 MHz to 50 GHz		

Options

To add options to a product, order the corresponding item number.

	Description	For E8362C	For E8363C	For E8364C	For E8361C	For N5250C system ³	Additional information
Test set							
Option 014	• Configurable test set	E8362C-014	E8363C-014	E8364C-014	E8361C-014	Included	
Power configuration							
Option UNL	• Extended power range and bias-tees	E8362C-UNL	E8363C-UNL	E8364C-UNL	E8361C-UNL	Included	Only E8361C requires 014
Option 016	• Add receiver attenuators	E8362C-016	E8363C-016	E8364C-016	E8361C-016	E8361C-016	Requires UNL (only E8361C also requires 014)
Option H85 ⁷	• High-power configuration	E8362CH85	E8363CH85	E8364CH85	Contact Agilent	Contact Agilent	Includes 014, 016, UNL ⁴ , 080, 081
Non-linear measurements							
Option 080	• Frequency offset	E8362C-080	E8363C-080	E8364C-080	E8361C-080	Included	Requires 014 (E8361C only, 081 required if UNL is also purchased)
Option 081	• Reference receiver switch	E8362C-081	E8363C-081	E8364C-081	E8361C-081	Included	Requires 014, 080 (only E8361C also requires UNL)
Option 082	• Scalar-calibrated converter measurements	E8362C-082	E8363C-082	E8364C-082	E8361C-082	E8361C-082 ⁵	Requires 014, 080
Option 083	• Vector- and scalar-calibrated converter measurements	E8362C-083	E8363C-083	E8364C-083	E8361C-083	E8361C-083 ⁵	Requires 014, 080, 081 (only E8361C also requires UNL)
Option 084 ⁶	• Embedded LO Measurement	E8362C-084	E8363C-084	E8364C-084	E8361C-084	E8361C-084	Requires Option 083
Pulse, antenna, mm-wave							
Option H08	• Pulsed-RF measurement capability	E8362C-H08	E8363C-H08	E8364C-H08	E8361C-H08	E8361C-H08 ⁵	Requires 014, 080
Option H11	• IF access (for antenna, pulsed-RF and mm-wave measurements)	E8362C-H11	E8363C-H11	E8364C-H11	E8361C-H11	Included	Requires 014, UNL, 080, and 081
Measurement features							
Option 010	• Time-domain capability	E8362C-010	E8363C-010	E8364C-010	E8361C-010	E8361C-010	Options 550 and 551 require 014, and are not compatible with N5250C systems
Option 550	• 4-port measurement application	E8362C-550	E8363C-550	E8364C-550	E8361C-550	E8361C-550	
Option 551	• N-port capabilities	E8362C-551	E8363C-551	E8364C-551	E8361C-551	E8361C-551	
Accessories							
Option 1CM	• Rack mount kit for use without handles	E8362C-1CM	E8363C-1CM	E8364C-1CM	E8361C-1CM	E8361C-1CM	
Option 1CP	• Rack mount kit for use with handles	E8362C-1CP	E8363C-1CP	E8364C-1CP	E8361C-1CP	E8361C-1CP	
N4688A	• USB CD R/W drive	N4688A	N4688A	N4688A	N4688A	N4688A	
N4689A	• USB Hub	N4689A	N4689A	N4689A	N4689A	N4689A	
Calibration documentation							
Option 1A7	• ISO 17025 compliant calibration	E8362C-1A7	E8363C-1A7	E8364C-1A7	E8361C-1A7	E8361C-1A7	
Option UK6	• Commercial calibration certificate with test data	E8362C-UK6	E8363C-UK6	E8364C-UK6	E8361C-UK6	E8361C-UK6	
Option A6J	• ANSI Z540 compliant calibration	E8362C-A6J	E8363C-A6J	E8364C-A6J	E8361C-A6J	E8361C-A6J	
Calibration software for self-maintainers							
Option 897 ⁸	• Perpetual license of built-in performance test software for Agilent exclusive calibration	E8362C-897	E8363C-897	E8364C-897	E8361C-897	E8361C-897	
Option 898 ⁸	• Perpetual license of built-in performance test software for standards compliant calibration	E8362C-898	E8363C-898	E8364C-898	E8361C-898	E8361C-898	

1. All models are not available in all countries.

2. For more detailed information regarding the 110 GHz network analyzer system, refer to the Agilent Web site: www.agilent.com/find/pna and download the N5250C Technical Overview, literature number 5989-7620EN.

3. The N5250C 110 GHz system also includes an N5260A millimeter-wave test set controller, 1.0 mm combiner assembly, interconnecting cables, and installation and productivity assistance.

4. UNL* does not include bias-tees. Only includes source attenuators.

5. Up to 67 GHz.

6. Requires firmware A.07.05 and above plus 1.1 GHz CPU board.

7. Option H85 is ordered as a separate model, as indicated.

8. Additional hardware required. Please refer to the analyzer's Service Guide for required service test equipment.

Agilent PNA Network Analyzers

The microwave PNA Series instruments are integrated vector network analyzers equipped with a built-in S-parameter test set, synthesized source, a hard disk drive, USB interfaces, and an 8.4" LCD color touch screen display. The E8362C has 3.5 mm male 50-ohm test ports. The E8361C has 1.85 mm male 50-ohm test ports. Included with each instrument is a mouse, keyboard (U.S.) and a 1-year return-to-Agilent service warranty.

- E8362C network analyzer, 10 MHz to 20 GHz
- E8363C network analyzer, 10 MHz to 40 GHz
- E8364C network analyzer, 10 MHz to 50 GHz
- E8361C network analyzer, 10 MHz to 67 GHz¹
- N5250C network analyzer system, 10 MHz to 110 GHz

Options

Time-domain capability (Option 010)

For viewing reflection and transmission responses in time or distance domain.

Configurable test set (Option 014)²

Provides six front panel access loops. Three access loops are for port one and three for port two. The loops provide access to the signal path between (a) the source output and the reference receiver, (b) the source output and directional coupler thru arm and (c) the coupled arm of the directional coupler and the port receiver. This option provides the capability to improve instrument sensitivity for measuring low-level signals, to reverse the directional coupler to achieve even more dynamic range or to add components and other peripheral instruments for a variety of measurement applications. (see *PNA Series Microwave Data Sheet* literature number 5989-7605EN for a basic block diagram)

4-port measurement application (Option 550)²

Enables full 4-port error correction and differential measurements on a 2-port network analyzer with configurable test set. Option 014 required. External test set required.

N-port capabilities (Option 551)²

Adds full N-port error correction and measurement capabilities to any PNA network analyzer with configurable test set. Option 014 required. External test set required.

Extended power range and bias-tees (Option UNL)²

Adds two 60 dB step attenuators and two bias-tees to the E8362/3/4C. Adds two 50 dB step attenuators and two bias-tees to the E8361C. A step attenuator and bias-tee set is inserted between the source and test port one and another set between the source and test port two. (see *PNA Series Microwave Data Sheet* literature number 5989-7605EN for a basic block diagram)

Frequency offset (Option 080)²

This option enables the PNA Series microwave network analyzers to set the source frequency independently from where the receivers are tuned. This ability is important for two general classes of devices: mixers (and converters) and amplifiers. Option 080 provides a very basic user interface.

Reference receiver switch (Option 081)²

Option 081 adds a solid-state internal RF transfer switch in the R1 reference-receiver path (see *PNA Series Microwave Data Sheet* literature number 5989-7605EN for a block diagram). The switch allows the instrument to easily switch between standard S-parameter (non-frequency-offset) measurements and frequency offset measurements such as relative phase or absolute group delay that require an external reference mixer. The user can set the switch manually or remotely, but it is best used with the frequency-converter application (Option 083), where it is controlled automatically during the vector-mixer calibration procedure and subsequent measurements.

Scalar-calibrated converter measurements (Option 082)²

With a simple setup and calibration, this application provides the highest accuracy for conversion-loss (or gain) measurements by combining one-port and power-meter calibrations to remove mismatch errors. Option 080 required.

Vector- and scalar-calibrated converter measurements (Option 083)²

This converter measurement adds an intuitive and easy-to-use user interface, advanced calibration choices that provide exceptional amplitude and phase accuracy, and control of external signal sources for use as local oscillators. Mixer calibration techniques include scalar-mixer calibration and vector-mixer calibration (requires Option 081). Finally, the frequency-converter application supports all of Agilent's major signal source families.

Embedded LO Measurements (Option 084)

Advanced software tuning that provides absolute group delay of converters with embedded LOs without the need for access to a common reference signal. The measurement result is the same as locking the DUT LO to the reference mixer LO. (Options 080 and 083 required) Requires firmware A.07.05 and above plus 1.1 GHz CPU board.

1. The E8361C can be extended to 110 GHz with IF access (Option H11).
2. Up to 67 GHz.

Add receiver attenuators (Option 016)

An attenuator is added between each test port and its corresponding receiver. Two 35 dB step attenuators are added to the E8362/3/4C. Two 50 dB step attenuators are added to the E8361C (see *PNA Series Microwave Data Sheet* literature number 5989-7605EN for a basic block diagram).

Pulsed-RF measurement capability (Option H08)²

Provides software to set up and control pulsed-RF measurements with point-in-pulse capability. The software sets the coefficient of the PNA's digital-IF filter to null out unwanted spectral components, enables the IF gates provided with IF access (Option H11), and controls selected Agilent pulse generators. It can be run on the PNA or an external computer. A ".dll" file containing the IF-filter algorithms is included for automated pulsed-RF testing. The pulsed application is configured to work with the Agilent 81110A series pulse generator.

For more detailed information regarding pulsed measurement capabilities with the microwave PNA refer to the Agilent Web site www.agilent.com/find/pna and download the *PNA Series MW Network Analyzers Configuration Guide for Pulsed Measurements*, literature number 5989-7913EN.

IF access (Option H11)

Provides hardware to enable antenna, point-in pulse, and broadband millimeter-wave measurements to 110 GHz. For each of the MW PNA's measurement receivers, IF gates (enabled with pulsed measurement capability, Option H08) and external IF inputs are added. In addition, access to the PNA's internal RF and LO source is provided for remote mixing applications. For basic antenna measurements, only Option H11 is necessary. Pulsed antenna applications also require the pulsed measurement capability (Option H08). Broadband measurements to 110 GHz, also requires an N5260A millimeter-wave test set controller.

Note: Use external IF access for up to 20 dB more sensitivity when making antenna measurements with a remote mixing configuration. Add Option H08 (Pulsed-RF Measurement Capability) to enable advanced pulsed measurements. Or upgrade to a broadband (10 MHz to 110 GHz) VNA system simply by purchasing an N5260A controller test set with test heads (Option 110, 120, or 130).

High-power test set (Model E836xCH85)

This configuration combines options that are often necessary for high power measurements (UNL^{*1}, 014, 016, 080, 081). The only difference between ordering Option H85 versus a combination of the options listed above is the source attenuator option UNL. Standard UNL includes two source attenuators and two bias-tees. Option H85 includes the two source attenuators, but not the bias-tees, as the bias-tees are the power-limiting factor in the network analyzer test set. The maximum power at the test port is +43 dBm (< 20 GHz), and +40 dBm (> 20 GHz).

Option 080, frequency-offset mode, is included in Option H85 because it manages the phase-locking internally (instead of depending on the R1 receiver). So if you need to use external components in the path of the R1 receiver, it makes the measurements simpler and more robust.

Rack mount kit without handles (Option 1CM)

Adds a rack mount (5063-9217) and rail kit (E3663AC) for use without handles.

Rack mount kit with handles (Option 1CP)

Adds a rack mount (5063-9237)³ and rail kit (E3663AC) for use with standard supplied handles.

Documentation

PNA Online Help system is available within PNA instruments in the following languages: English, German, Spanish, French, Japanese, and Chinese.

The PNA Service Guide and Online Help are available on the Web: <http://na.tm.agilent.com/pna>

1. UNL* does not include bias-tees. Only includes source attenuators.
2. Up to 67 GHz.
3. The 5063-9237 kit assumes you have the standard handles shipped with the instrument. If you do not have handles, order a 5063-9224 kit.

E8361/2/3/4C

Configuration Details

Selecting the correct mixer-test configuration:

Most mixer or converter test applications require Options 014, 080, and 082 for conversion loss/gain, or Options 014, 080, 081 and 083 for conversion loss/gain and phase/delay measurements. If you want to create and automate your own custom frequency-offset measurements (for example, intermodulation distortion), you may only need Options 014 and 080. For converters that require input power below -27 dBm, or for devices that have a large amount of LO feedthrough (like an unfiltered mixer), Option UNL, which adds source attenuators, is highly recommended. Besides allowing lower input power levels, these attenuators improve the isolation between the PNA's internal source and LO leakage signals, helping to prevent source-unleveled errors. For devices that put out signals near or above the receiver's compression levels (which varies between -3 and +5 dBm, depending on the model and frequency), Option 016 is recommended, which adds receiver attenuators. Finally, Option 010, which adds time-domain analysis, is very useful for gating out unwanted, time-delayed responses which often occur when measuring mixers.

Certification options

- Commercial calibration certificate with test data (Option UK6)**
Complete set of measurements which tests unit to manufacturer's published specifications. Includes calibration label, calibration certificate, and data report. Conforms to ISO 9001.
- ISO 17025 compliant calibration (Option 1A7)**
Complete set of measurements which tests unit to manufacturer's published specifications. Includes calibration label, ISO 17025 calibration certificate, and data report, measurement uncertainties and guardbands on all customer specifications. Conforms to ISO 17025 and ISO 9001.
- ANSI Z540 compliant calibration (Option A6J)**
Complete set of measurements which tests unit to manufacturer's published specifications. Includes pre- and post-adjustment data with measurement uncertainty information compliant to the ANSI/NCSS Z540 standard.

Calibration Software Licenses

- Perpetual license for built-in performance test software for Agilent inclusive cal (Option 897)**
Adds built-in performance testing and calibration software for self-maintainers. Requires additional equipment. See the analyzer's Service Guide for more information on equipment required.
- Perpetual license for built-in performance test software for standards compliant cal (Option 898)**
Adds built-in performance testing and calibration software for self-maintainers. Requires additional equipment. See the analyzer's Service Guide for more information on equipment required.

Warranty and service

1-, 3-, and 5-year warranty and service plans are available at time of instrument purchase. Standard warranty is 1 year. The N5250C 110 GHz system carries a full 1-year on-site warranty, where available.

Calibration

3 and 5-year calibration plans are available at time of instrument purchase. Contact your local Agilent sales office for details.

Product services

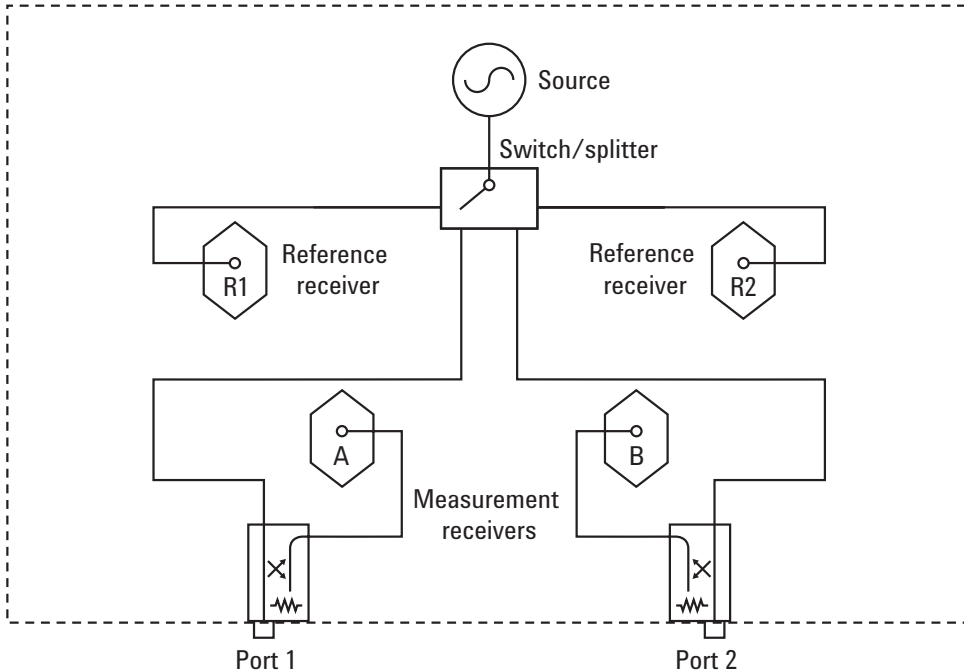
Agilent product services provide tailored assistance related to a specific need or application. Product services enable you to quickly learn how Agilent instruments operate, their capabilities, and how to apply that knowledge to achieve your specific measurement goals. PNA series services available include:

- Remote scheduled productivity assistance
- 1 Day of start-up assistance
- Daily productivity assistance
- PNA operator training for 8 students at your business site
- PNA operator web classes for 1 student
- Custom services to be qualified by an Agilent technical consultant

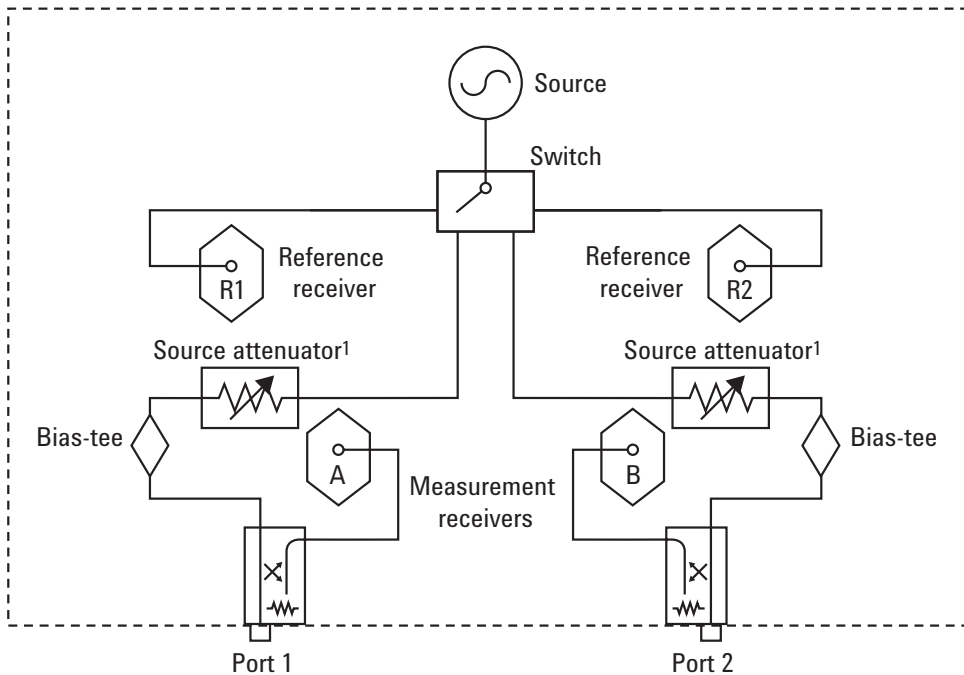
Microwave PNA Network Analyzer

Simplified test set block diagrams

Standard power range



Extended power range and bias-tees (Option UNL)

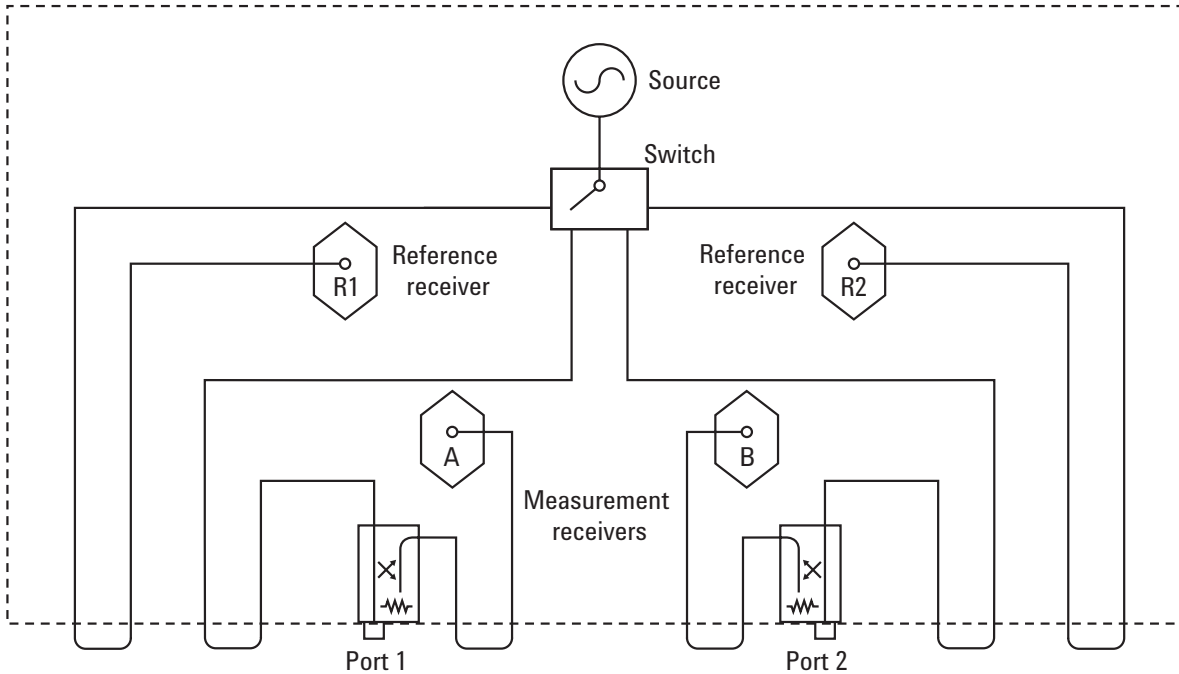


1. Source attenuator for E8362/3/4C is 60 dB in 10 dB steps.
Source attenuator for E8361C is 50 dB in 10 dB steps.

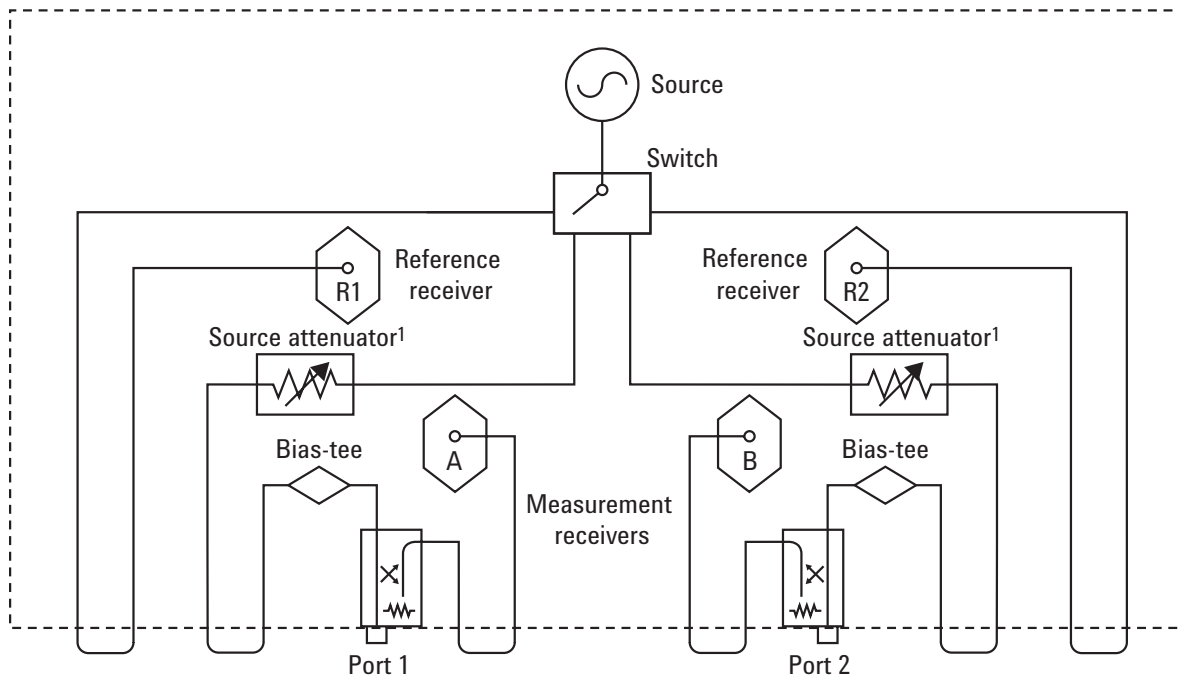
Microwave PNA Network Analyzer

Simplified test set block diagrams – continued

Configurable test set (Option 014)



Configurable test set with extended power range and bias-tees (Option UNL and 014)

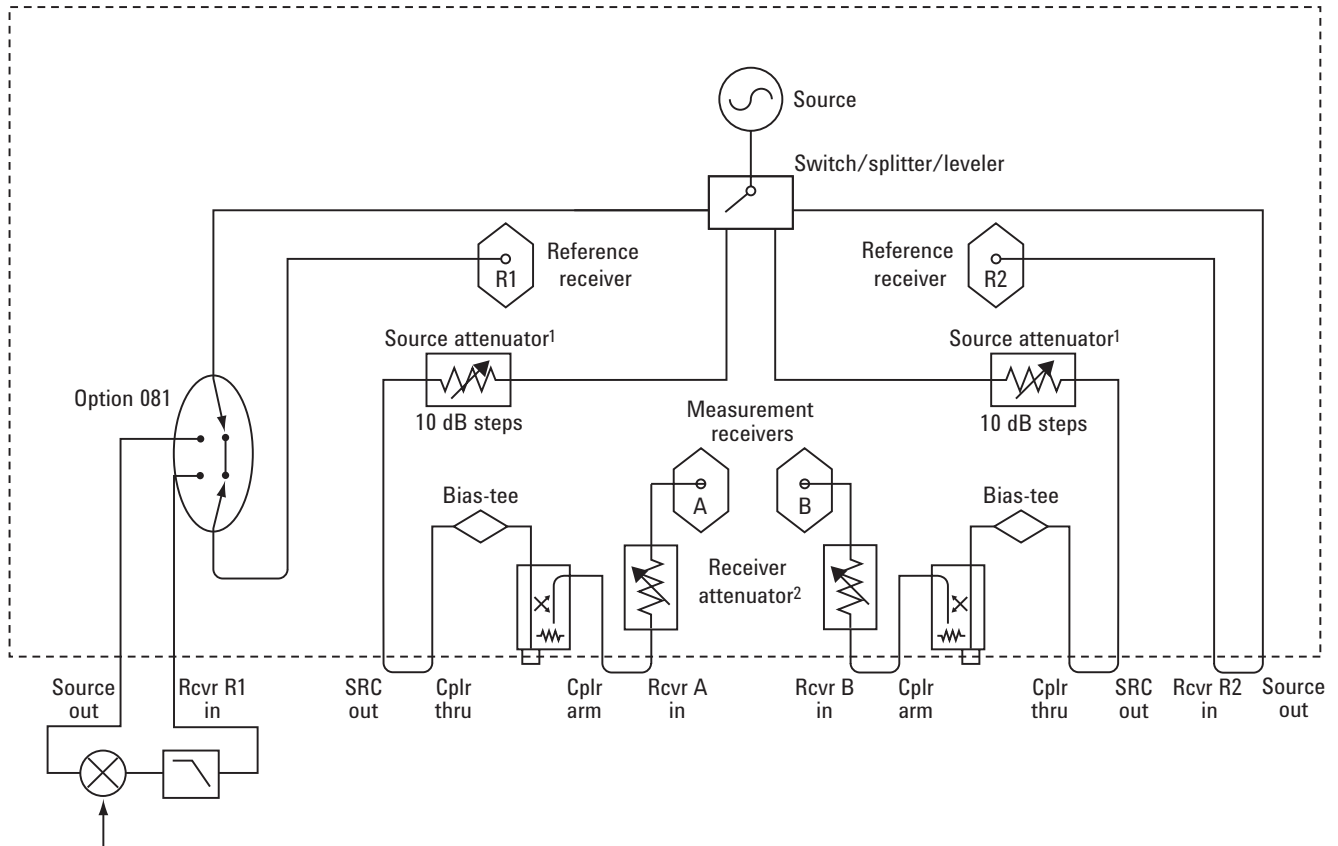


1. Source attenuator for E8362/3/4C is 60 dB in 10 dB steps.
Source attenuator for E8361C is 50 dB in 10 dB steps.

Microwave PNA Network Analyzer

Simplified test set block diagrams – continued

Fully optioned, active device or mixer/converter test configuration (Options 014, UNL, 016, 080, 081)



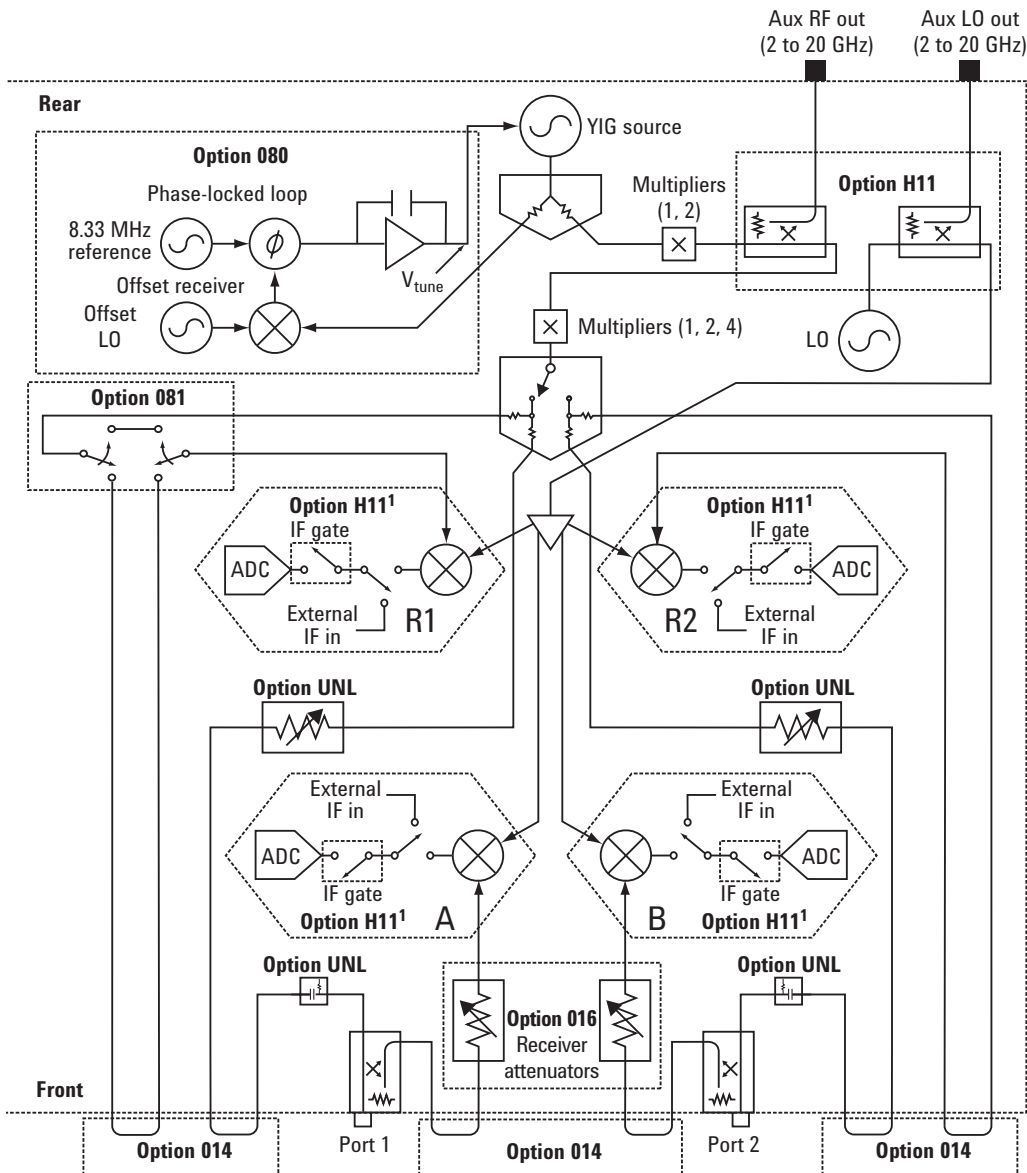
1. Source attenuator for E8362/3/4C is 60 dB in 10 dB steps. Source attenuator for E8361C is 50 dB in 10 dB steps.

2. Receiver attenuator for E8362/3/4C is 35 dB in 5 dB steps. Receiver attenuator for E8361C is 50 dB in 10 dB steps.

Microwave PNA Network Analyzer

Simplified test set block diagrams – continued

Fully optioned, pulse-RF, antenna, or mm-wave configuration
(Options 014, UNL, 016, 080, 081, H11)



1. Option H11: IF-gate controls and external-IF inputs are accessed on rear panel. IF gates are enabled with Option H08. External-IF input frequency is 8.33 MHz.

N5250C Configuration Details

□ N5250C MM PNA system¹, 10 MHz to 110 GHz, includes:

E8361C MW PNA with the following options:

- Configurable test set – Option 014
- Extended power range and bias-tees – Option UNL
- Frequency-offset mode – Option 080
- Reference channel switch – Option 081
- IF access – Option H11

N5260A millimeter-wave test set controller with test heads

- 67 to 110 GHz test heads
- 1.0 mm combiner assembly
- Interconnecting cables
- Installation and productivity assistance

Additional options available:

- Millimeter-wave modules with bias-tees - N5250C Option 017
- Millimeter-wave modules with bias-tees and port 2 attenuator - N5250C Option 018
- Receiver attenuator – Option 016
- Time-domain capability – Option 010
- Pulsed-RF measurement capability – Option H08²
- Scalar-calibrated converter measurements – Option 082²
- Frequency converter application – Option 083²

Factory integration of the N5250C system integrates the E8361C with Option H11 and the N5260A millimeter-wave controller with test heads. On-site installation is included, and the entire system carries a full one-year, on-site warranty (where available).

Option Descriptions

□ Millimeter-wave modules with bias-tees (N5250C Option 017)

Adds 67 GHz bias-tees to the combiner assembly between the input to the combiner and the 67 GHz coupler. The bias-tees have tri-axial connectors for force, sense, and ground. Positioning the bias-tees close to the DUT greatly improves stability for on-wafer and in-fixture devices. The bias-tees added for this option have a voltage rating of 40 volts and a maximum of 0.5 amps.

□ Millimeter-wave modules with bias-tees and port 2 attenuator (N5250C Option 018)

Adds 67 GHz bias-tees to the combiner assembly between the input to the combiner and the 67 GHz coupler. The bias-tees have tri-axial connectors for force, sense, and ground. Positioning the bias-tees close to the DUT greatly improves stability for on-wafer and in-fixture devices. The bias-tees added for this option have a voltage rating of 40 volts and a maximum of 0.5 amps. Additionally, Option 018 adds a 25 dB micrometer attenuator to the port 2 test head.

Banded waveguide solution

In order to assemble a banded waveguide solution, the following components are needed:

- Microwave PNA network analyzer (E8361C or E8362/3/4C) with the following options:
 - IF access - Option H11
 - Configurable test set - Option 014
 - Extended power range and bias-tees - Option UNL
 - Frequency-offset mode - Option 080
 - Reference channel switch - Option 081
- Millimeter-wave test set controller (N5260A) with no options
- A set of waveguide modules:
 - N5260AW15, 50 to 75 GHz
 - N5260AW12, 60 to 90 GHz
 - N5260AW10, 75 to 110 GHz
 - N5260AW08, 90 to 140 GHz
 - N5260AW06, 110 to 170 GHz
 - N5260AW05, 140 to 220 GHz
 - N5260AW03, 220 to 325 GHz

NOTE: To significantly improve system dynamic range above 220 GHz, Agilent strongly recommends adding two external synthesizers such as Agilent's PSG Series signal generators; one for the RF signal, and one for the LO signal.

For more detailed information, see *PNA Millimeter-wave Technical Overview*, literature number 5989-7620EN.

On-wafer applications

For on-wafer applications, Cascade Microtech³ provides complete probing systems using the N5250C. These include both new probing systems and upgrades to existing Cascade Microtech products. Cascade can also provide on-wafer verification and probing system training. Once the N5250C system is verified in coax, Cascade Microtech will verify the system through its wafer probes.

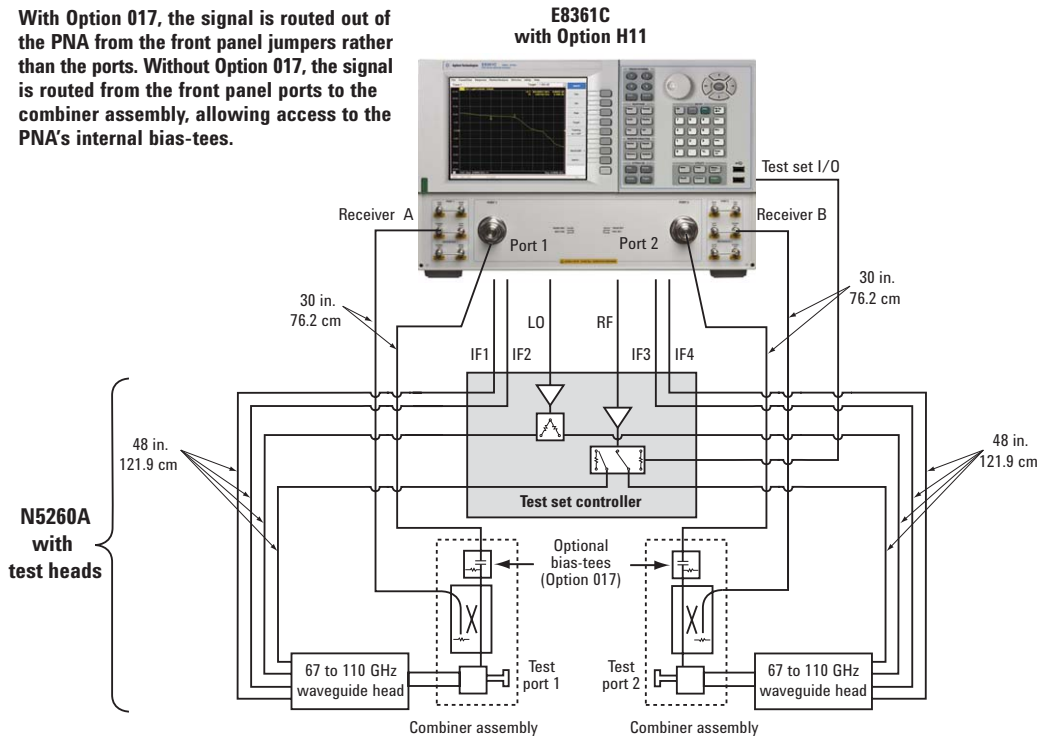
1. For more detailed information regarding the 110 GHz network analyzer system, refer to the Agilent Web site: www.agilent.com/find/pna and download the N5250C Technical Overview, literature number 5989-7620EN.

2. Up to 67 GHz.

3. Cascade Microtech is an Agilent Channel Partner.

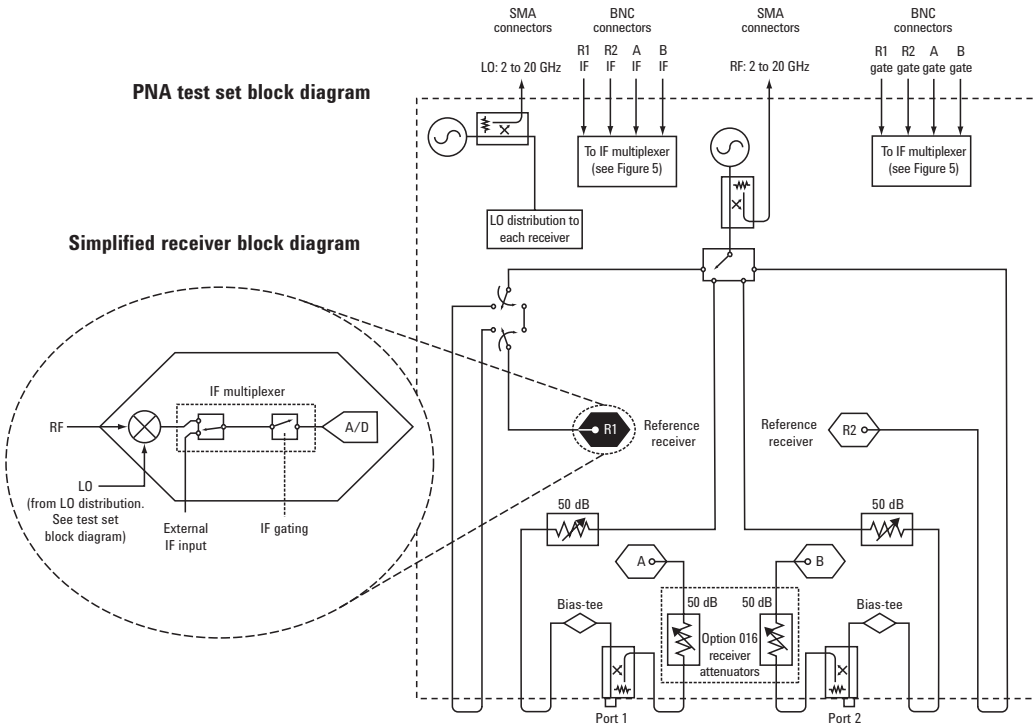
N5250C Millimeter-Wave PNA Block Diagram

With Option 017, the signal is routed out of the PNA from the front panel jumpers rather than the ports. Without Option 017, the signal is routed from the front panel ports to the combiner assembly, allowing access to the PNA's internal bias-tees.



PNA test set block diagram

Simplified receiver block diagram



Measurement Accessories

A complete list of RF and microwave test accessories is available on our Web site:

www.agilent.com/find/accessories

Accessories are available in these connector types: 50 ohm Type-N, 3.5 mm, 7 mm, 2.4 mm, 2.92 mm, 1.85 mm, 1.0 mm, and waveguide. Test port cables and a calibration kit should be added for a complete measurement system. A verification kit is used to verify corrected system performance.

Cables and adapter sets

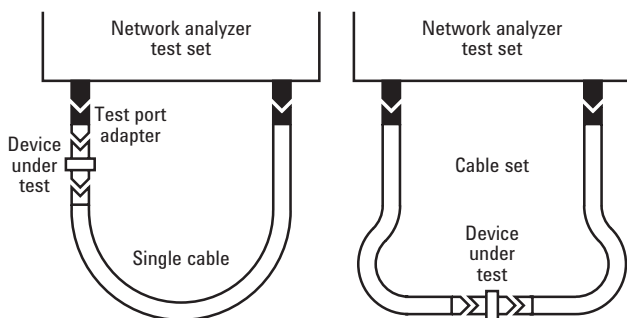
Agilent offers cables in the following types:

- single cables in semi-rigid and flexible
- cable sets in semi-rigid and flexible

There are also adapter sets available that protect the test port and convert the port to the desired connector interface. These kits contain:

- one male adapter
- one female adapter

To attain the best mechanical rigidity for device connection, use a single cable and the appropriate special adapter set. To attain the greatest flexibility for device connection, use a cable set.



Calibration kits

Coaxial measurements

Mechanical calibration kits include standards, such as opens, shorts and loads, which are measured by the network analyzer for increased measurement accuracy.

Electronic calibration (ECal) kits replace mechanical calibration standards with one solid-state calibration module that is controlled by the network analyzer via USB, to present many different impedances to the test ports. A full two-port calibration can be performed quickly with a single connection. This technique reduces operator errors and connector wear and abrasion.

Choose a calibration kit for each connector type to be used.

Economy, includes:

- open standards (male and female)
- short standards (male and female)
- fixed-termination standards (male and female)

Standard, includes the devices in the economy kit and adds:

- sliding load standards (male and female) or a series of offset shorts

Precision, includes the devices in the economy kit and adds:

- 50 ohm airline(s) for TRL calibration
- TRL adapters

Waveguide measurements

For waveguide measurements, Agilent offers mechanical calibration kits that include:

- waveguide-to-coax adapters (X, P, K, R, Q, U, V)
- precision waveguide section
- flush short circuit
- fixed terminations
- straight section

For devices with 1.0 mm connectors

Mechanical calibration/verification kit

□ **85059A** DC to 110 GHz precision calibration/verification kit.

Includes:

85059-60003	1.00 mm (m) short 2.450 mm
85059-60007	1.00 mm (f) short 2.450 mm
85059-60004	1.00 mm (m) short 3.000 mm
85059-60008	1.00 mm (f) short 3.000 mm
85059-60002	1.00 mm (m) short 1.825 mm
85059-60006	1.00 mm (f) short 1.825 mm
85059-60001	1.00 mm (m) short 1.300 mm
85059-60005	1.00 mm (f) short 1.300 mm
85059-60009	1.00 mm male open
85059-60010	1.00 mm female open
85059-60019	1.00 mm male load
85059-60020	1.00 mm female load
85059-60021	1.00 mm lossy delay line
11920-60001	1.00 mm (m) to 1.00 mm (m) adapter
11920-60002	1.00 mm (f) to 1.00 mm (f) adapter
11920-60003	1.00 mm (m) to 1.00 mm (f) adapter
11500-60001	1.00 mm (f) to 1.00 mm (f) 8.8 cm cable
85059-60016	1.00 mm mismatch thru adapter for verification
85059-60017	1.00 mm matched thru adapter for verification
8710-2079	6 mm, 4 in-lb torque wrench
8710-2156	6 mm open end wrench

Cables

- **11500I** 1.0 mm (f-f) test port cable (8.8 cm)
- **11500J** 1.0 mm (m-f) test port cable (16.0 cm)¹
- **11500K** 1.0 mm (m-f) test port cable (20.0 cm)¹
- **11500L** 1.0 mm (m-f) test port cable (24.0 cm)¹

Adapter set

- **V281C** 1.0 mm(f) to V-band waveguide adapter
- **V281D** 1.0 mm (m) to V-band waveguide adapter
- **W281C** 1.0 mm (f) to W-band waveguide adapter
- **W281D** 1.0 mm (m) to W-band waveguide adapter
- **11920A** 1.0 mm (m) to 1.0 mm (m) adapter
- **11920B** 1.0 mm (f) to 1.0 mm (f) adapter
- **11920C** 1.0 mm (m) to 1.0 mm (f) adapter
- **11921A** 1.0 mm (m) to 1.85 mm (m) adapter
- **11921B** 1.0 mm (f) to 1.85 mm (f) adapter
- **11921C** 1.0 mm (m) to 1.85 mm (f) adapter
- **11921D** 1.0 mm (f) to 1.85 mm (m) adapter
- **11922A** 1.0 mm (m) to 2.4 mm (m) adapter
- **11922B** 1.0 mm (f) to 2.4 mm (f) adapter
- **11922C** 1.0 mm (m) to 2.4 mm (f) adapter
- **11922D** 1.0 mm (f) to 2.4 mm (m) adapter
- **11923A** 1.0 mm (f) connector launch assembly

1. For on-wafer applications, two 11500J/K/L cables are required; one cable for each test port.
2. Special rugged female connector specifically for connecting to the network analyzer test port, but does not mate with a standard male connector.

For devices with 1.85 mm connectors

Mechanical calibration kits

□ **85058B** standard: DC to 67 GHz.

Includes:

85058-60101	1.85 mm (m) short 5.4 mm
85058-60102	1.85 mm (m) short 6.3 mm
85058-60103	1.85 mm (m) short 7.12 mm
85058-60104	1.85 mm (m) short 7.6 mm
85058-60105	1.85 mm (f) short 5.4 mm
85058-60106	1.85 mm (f) short 6.3 mm
85058-60107	1.85 mm (f) short 7.12 mm
85058-60108	1.85 mm (f) short 7.6 mm
85058-60109	1.85 mm male open
85058-60110	1.85 mm female open
85058-60111	1.85 mm male load
85058-60112	1.85 mm female load
85058-60113	1.85 mm (m) to 1.85 mm (m) adapter
85058-60114	1.85 mm (f) to 1.85 mm (f) adapter
85058-60115	1.85 mm (m) to 1.85 mm (f) adapter

□ **85058E** economy: DC to 67 GHz.

Includes:

85058-60101	1.85 mm (m) short 5.4 mm
85058-60105	1.85 mm (f) short 5.4 mm
85058-60109	1.85 mm male open
85058-60110	1.85 mm female open
85058-60123	1.85 mm male load
85058-60124	1.85 mm female load
85058-60113	1.85 mm (m) to 1.85 mm (m) adapter
85058-60114	1.85 mm (f) to 1.85 mm (f) adapter
85058-60115	1.85 mm (m) to 1.85 mm (f) adapter

Electronic calibration kits

□ **N4694A** Microwave ECal: 10 MHz to 67 GHz, 2 ports.

Includes:

Option M0F module with:

N4694-60001 1.85 mm (f) to 1.85 mm (m) ECal module

Option 00M module with:

N4694-60002 1.85 mm (m) to 1.85 mm (m) ECal module

Option 00F module with:

N4694-60003 1.85 mm (f) to 1.85 mm (f) ECal module

Option 00A adds:

85058-60113 1.85 mm (m) to 1.85 mm (m) adapter

85058-60114 1.85 mm (f) to 1.85 mm (f) adapter

Cables

- **N4697E²** Single, flexible: 1.85 mm (f) to 1.85 mm (f), 96.5 cm, 38 inches
- **N4697F²** Set, flexible:
 - One 1.85 mm (f) to 1.85 mm (f) cable, 62.2 cm, 24.5 inches, p/n N4697-60100
 - One 1.85 mm (f) to 1.85 mm (m) cable, 62.2 cm, 24.5 inches, p/n N4697-60200
- **N4697H²** Single, flexible: 1.85 mm (f) to 1.85 mm (m), 62.2 cm, 24.5 inches
- **N4421B-B67** Set of 4, flexible: 1.85 mm (f) to 1.85 mm (m), 91.4 cm, 36 inches

Adapter set

- **85130H** 1.85 mm² to 1.85 mm

For devices with 2.4 mm connectors

Mechanical calibration kits

- **85056A** standard: DC to 50 GHz.

Includes:

- 00901-60003 2.4 mm (m) fixed broadband load
- 00902-60004 2.4 mm (f) fixed broadband load
- 00915-60003 2.4 mm (m) sliding load
- 00915-60004 2.4 mm (f) sliding load
- 85056-60005 2.4 mm (m) to 2.4 mm (m) adapter
- 85056-60006 2.4 mm (f) to 2.4 mm (f) adapter
- 85056-60007 2.4 mm (m) to 2.4 mm (f) adapter
- 85056-60020 2.4 mm (m) short
- 85056-60021 2.4 mm (f) short
- 85056-60022 2.4 mm (m) open
- 85056-60023 2.4 mm (f) open

- **85056D** economy: DC to 50 GHz.

Includes:

- 00901-60003 2.4 mm (m) fixed broadband load
- 00902-60004 2.4 mm (f) fixed broadband load
- 85056-60005 2.4 mm (m) to 2.4 mm (m) adapter
- 85056-60006 2.4 mm (f) to 2.4 mm (f) adapter
- 85056-60007 2.4 mm (m) to 2.4 mm (f) adapter
- 85056-60020 2.4 mm (m) short
- 85056-60021 2.4 mm (f) short
- 85056-60022 2.4 mm (m) open
- 85056-60023 2.4 mm (f) open

Electronic calibration kits

- **N4693A** Microwave ECal: 10 MHz to 50 GHz, 2 ports.

Includes:

Option M0F module with:

- N4693-60001 2.4 mm (f) to 2.4 mm (m) ECal module

Option 00M module with:

- N4693-60002 2.4 mm (m) to 2.4 mm (m) ECal module

Option 00F module with:

- N4693-60003 2.4 mm (f) to 2.4 mm (f) ECal module

Option 00A adds:

- 85056-60005 2.4 mm (m) to 2.4 mm (m) adapter
- 85056-60007 2.4 mm (f) to 2.4 mm (f) adapter

Cables

- **85133C¹** single, semi-rigid: 2.4 mm (f) to PSC-2.4 mm (f), 81 cm, 32 inches
- **85133D¹** set, semi-rigid:
 - One 2.4 mm (f) to 2.4 mm (m), 53 cm, 21 inches, p/n 85133-60001
 - One 2.4 mm (f) to 2.4 mm (f), 53 cm, 21 inches, p/n 85133-60002
- **85133E¹** single, flexible: 2.4 mm (f) to PSC-2.4 mm (f), 97 cm, 38 inches
- **85133F¹** set, flexible:
 - One 2.4 mm (f) to 2.4 mm (f), 63 cm, 25 inches, p/n 85133-60016
 - One 2.4 mm (f) to 2.4 mm (m), 63 cm, 25 inches, p/n 85133-60017

- **85133G¹** Single, semi-rigid: 2.4 mm (f) to 2.4 mm (m), 53 cm, 21 inches
- **85133H¹** Single, flexible: 2.4 mm (f) to 2.4 mm (m), 63 cm, 25 inches
- **N4421A-B20** Set of 4, flexible: 2.4 mm (f) to 2.4 mm (m), 91.4 cm, 36 inches

Adapter set

- **85130G** 2.4 mm¹ to 2.4 mm

For devices with K connectors (2.92 mm)

Mechanical calibration kits

- **85056K** 2.92/2.4 economy: DC to 40/50 GHz.

Includes:

- 00901-60003 2.4 mm (m) fixed broadband load
- 00902-60004 2.4 mm (f) fixed broadband load
- 00915-60003 2.4 mm (m) sliding load (Option 001)
- 00915-60004 2.4 mm (f) sliding load (Option 001)
- 11904-60001 2.4 mm (m) to 2.92 mm (m) adapter
- 11904-60002 2.4 mm (f) to 2.92 mm (f) adapter
- 11904-60003 2.4 mm (m) to 2.92 mm (f) adapter
- 11904-60004 2.4 mm (f) to 2.92 mm (m) adapter
- 85056-60005 2.4 mm (m) to 2.4 mm (m) adapter
- 85056-60006 2.4 mm (f) to 2.4 mm (f) adapter
- 85056-60007 2.4 mm (m) to 2.4 mm (f) adapter
- 85056-60020 2.4 mm (m) short
- 85056-60021 2.4 mm (f) short
- 85056-60022 2.4 mm (m) open
- 85056-60023 2.4 mm (f) open

Electronic calibration kits

- **N4692A** Microwave ECal: 10 MHz to 40 GHz, 2 ports.

Includes:

Option M0F module with:

- N4692-60001 2.92 mm (f) to 2.92 mm (m) ECal module

Option 00M module with:

- N4692-60002 2.92 mm (m) to 2.92 mm (m) ECal module

Option 00F module with:

- N4692-60003 2.92 mm (f) to 2.92 mm (f) ECal module

Option 00A adds:

- N4692-60021 2.92 mm (m) to 2.92 mm (m) adapter
- N4692-60022 2.92 mm (f) to 2.92 mm (f) adapter

Cables

- **85133C¹** single, semi-rigid: 2.4 mm (f) to PSC-2.4 mm (f), 81 cm, 32 inches
- **85133D¹** set, semi-rigid:
 - One 2.4 mm (f) to 2.4 mm (m), 53 cm, 21 inches, p/n 85133-60001
 - One 2.4 mm (f) to 2.4 mm (f), 53 cm, 21 inches, p/n 85133-60002
- **85133E¹** single, flexible: 2.4 mm (f) to PSC-2.4 mm (f), 97 cm, 38 inches
- **85133F¹** set, flexible:
 - One 2.4 mm (f) to 2.4 mm (f), 63 cm, 25 inches, p/n 85133-60016
 - One 2.4 mm (f) to 2.4 mm (m), 63 cm, 25 inches, p/n 85133-60017

1. Special rugged female connector specifically for connecting to the network analyzer test port, but does not mate with a standard male connector.

- 85133G¹** Single, semi-rigid: 2.4 mm (f) to 2.4 mm (m), 53 cm, 21 inches
- 85133H¹** Single, flexible: 2.4 mm (f) to 2.4 mm (m), 63 cm, 25 inches
- N4421A-B20** Set of 4, flexible: 2.4 mm (f) to 2.4 mm (m), 91.4 cm, 36 inches

Adapters

- 11904A** 2.4 mm (m) to K (m)
- 11904B** 2.4 mm (f) to K (f)
- 11904C** 2.4 mm (m) to K (f)
- 11904D** 2.4 mm (f) to K (m)
- 11904S** 2.4 mm to K adapter set

For devices with 3.5 mm or SMA connectors

Mechanical calibration kits

- 85052B** standard: DC to 26.5 GHz.
Includes:
00902-60003 3.5 mm (m) fixed load
00902-60004 3.5 mm (f) fixed load
00911-60019 3.5 mm (m) sliding load
00911-60020 3.5 mm (f) sliding load
85052-60006 3.5 mm (m) short
85052-60007 3.5 mm (f) short
85052-60008 3.5 mm (m) open
85052-60009 3.5 mm (f) open
85052-60012 3.5 mm (f) to 3.5 mm (f) adapter
85052-60013 3.5 mm (f) to 3.5 mm (m) adapter
85052-60014 3.5 mm (m) to 3.5 mm (m) adapter
- 85052C** precision TRL: DC to 26.5 GHz.
Includes:
00902-60003 3.5 mm (m) fixed load
00902-60004 3.5 mm (f) fixed load
85052-60006 3.5 mm (m) short
85052-60007 3.5 mm (f) short
85052-60008 3.5 mm (m) open
85052-60009 3.5 mm (f) open
85052-60032 3.5 mm (f) to 3.5 mm (f) adapter
85052-60033 3.5 mm (m) to 3.5 mm (m) adapter
85052-60034 3.5 mm (f) to 3.5 mm (m) adapter
85052-60035 3.5 mm short TRL line
85052-60036 3.5 mm long TRL line
- 85052D** economy: DC to 26.5 GHz.
Includes:
00902-60003 3.5 mm (m) fixed load
00902-60004 3.5 mm (f) fixed load
85052-60006 3.5 mm (m) short
85052-60007 3.5 mm (f) short
85052-60008 3.5 mm (m) open
85052-60009 3.5 mm (f) open
85052-60012 3.5 mm (f) to 3.5 mm (f) adapter
85052-60013 3.5 mm (f) to 3.5 mm (m) adapter
85052-60014 3.5 mm (m) to 3.5 mm (m) adapter

Electronic calibration kits

- 85093C** RF ECal: 300 kHz to 9 GHz, 2 ports
Standard module includes
Option M0F with:
85093-60008 3.5 mm (f) to 3.5 mm (m) ECal module
Option 00F module with:
85093-60010 3.5 mm (f) to 3.5 mm (f) ECal module
Option 00M module with:
85093-60009 3.5 mm (m) to 3.5 mm (m) ECal module
Option 00A adds:
85052-60012 3.5 mm (m) to 3.5 mm (m) adapter
85052-60014 3.5 mm (f) to 3.5 mm (f) adapter

85093C-xxx mixed-connector options:

Port A option			Port B option					
Type	(f)	(m)	Type	(f)	(m)	Type	(f)	(m)
3.5 mm	101	102	Type-N	203	204	7-16	205	206
			50 ohm					

- N4431B** Microwave ECal: 300 kHz to 13.5 GHz, 4 ports.
Includes:
Option 010 module with:
N4431-60006 4 x 3.5 mm (f) ECal module

N4431B-xxx mixed-connector options:

Connector type	Port A option	Port B option	Port C option	Port D option
3.5 mm (f)	101	201	301	401
3.5 mm (m)	102	202	302	402
Type-N 50 ohm (f)	103	203	303	403
Type-N 50 ohm (m)	104	204	304	404
7-16 (f)	105	205	305	405
7-16 (m)	106	206	306	406

- N4433A** Microwave ECal: 300 kHz to 20 GHz, 4 ports.
Includes:
Option 010 module with:
N4433-60003 4 x 3.5 mm (f) ECal module

N4433A-xxx mixed-connector options:

Connector type	Port A option	Port B option	Port C option	Port D option
3.5 mm (f)	101	201	301	401
3.5 mm (m)	102	202	302	402

- N4691B** Microwave ECal: 300 kHz to 26.5 GHz, 2 ports.
Includes:
Option M0F module with:
N4691-60001 3.5 mm (f) to 3.5 mm (m) ECal module
Option 00M module with:
N4691-60002 3.5 mm (m) to 3.5 mm (m) ECal module
Option 00F module with:
N4691-60003 3.5 mm (f) to 3.5 mm (f) ECal module
Option 00A adds:
85052-60012 3.5 mm (m) to 3.5 mm (m) adapter
85052-60014 3.5 mm (f) to 3.5 mm (f) adapter

Cables

- **85131C¹** single, semi-rigid: 3.5 mm (f) to PSC-3.5 mm (f), 81 cm, 32 inches²
- **85131D¹** set, semi-rigid:
 - One 3.5 mm (f) to 3.5 mm (m), 53 cm, 21 inches, p/n 85131-60009
 - One 3.5 mm (f) to PSC-3.5 mm (f), 53 cm, 21 inches, p/n 85131-60010
- **85131E¹** single, flexible: 3.5 mm (f) to PSC-3.5 mm (f), 96.5 cm, 38 inches²
- **85131F¹** set, flexible:
 - One 3.5 mm (f) to 3.5 mm (m), 62.2 cm, 24.5 inches, p/n 85131-60012
 - One 3.5 mm (f) to PSC-3.5 mm (f), 62.2 cm, 24.5 inches, p/n 85131-60013
- **85131G¹** single, semi-rigid: 3.5 mm (f) to 3.5 mm (m), 53 cm, 21 inches
- **85131H¹** single, flexible: 3.5 mm (f) to 3.5 mm (m), 62.2 cm, 24.5 inches
- **85134C¹** single, semi-rigid: PSC-3.5 mm (f) to 2.4 mm (f), 81 cm, 32 inches
- **85134D¹** set, semi-rigid:
 - One 2.4 mm (f) to PSC-3.5 mm (f), 53 cm, 21 inches, p/n 85134-60002
 - One 2.4 mm (f) to PSC-3.5 mm (m), 53 cm, 21 inches, p/n 85134-60001
- **85134E¹** single, flexible: PSC-3.5 mm (f) to 2.4 mm (f), 96 cm, 38 inches
- **85134F¹** set, flexible:
 - One 2.4 mm (f) to PSC-3.5 mm (f), 53 cm, 21 inches, p/n 85134-60004
 - One 2.4 mm (f) to PSC-3.5 mm (m), 53 cm, 21 inches, p/n 85134-60003
- **85134G¹** single, semi-rigid: 2.4 mm (f) to PSC-3.5 mm (m), 53 cm, 21 inches
- **85134H¹** single, flexible: 2.4 mm (f) to PSC-3.5 mm (m), 53 cm, 21 inches
- **N4419A-B20** set of 4, flexible: 3.5 mm (m) to 3.5 mm (f), 91.4 cm, 36 inches
- **Z5623A-B20** set of 4, flexible: 3.5 mm (m) to 3.5 mm (m), 91.4 cm, 36 inches (phase-matched)

Adapter sets

- **85130C** 3.5 mm¹ to Type-N
- **85130D** 3.5 mm¹ to 3.5 mm
- **85130F** 2.4 mm¹ to 3.5 mm

1. Special rugged female connector specifically for connecting to the network analyzer test port, but does not mate with a standard male connector.
2. For use with E8362C.

For devices with Type-N connectors

Mechanical calibration kits

85054B standard: DC to 18 GHz.

Includes:

- 00909-60011 Type-N (m) fixed lowband load
- 00909-60012 Type-N (f) fixed lowband load
- 85054-60025 Type-N (m) short
- 85054-60026 Type-N (f) short
- 85054-60027 Type-N (m) open
- 85054-60028 Type-N (f) open
- 85054-60031 Type-N (f) to 7mm adapter
- 85054-60032 Type-N (m) to 7mm adapter
- 85054-60037 Type-N (f) to Type-N (f) adapter
- 85054-60038 Type-N (m) to Type-N (m) adapter
- 85054-80010 Type-N (f) sliding load
- 85054-80009 Type-N (m) sliding load
- 85054-60050 Type-N (f) connector gage
- 85054-60052 Type-N (f) gage master
- 85054-60051 Type-N (m) connector gage
- 85054-60053 Type-N (m) gage master

85054D economy: DC to 18 GHz.

Includes:

- 85054-60025 Type-N (m) short
- 85054-60026 Type-N (f) short
- 85054-60027 Type-N (m) open
- 85054-60028 Type-N (f) open
- 85054-60031 Type-N (f) to 7mm adapter
- 85054-60032 Type-N (m) to 7mm adapter
- 85054-60037 Type-N (f) to Type-N (f) adapter
- 85054-60038 Type-N (m) to Type-N (m) adapter
- 85054-60046 Type-N (m) fixed load
- 85054-60047 Type-N (f) fixed load

Electronic calibration kits

N4431B Microwave ECal: 300 kHz to 13.5 GHz, 4 ports.

Includes:

Option 020 module with:

N4431-60007 4 x Type-N (f) ECal module

N4431B-xxx mixed-connector options:

Connector type	Port A option	Port B option	Port C option	Port D option
3.5 mm (f)	101	201	301	401
3.5 mm (m)	102	202	302	402
Type-N 50 ohm (f)	103	203	303	403
Type-N 50 ohm (m)	104	204	304	404
7-16 (f) ¹	105	205	305	405
7-16 (m) ¹	106	206	306	406

N4432A Microwave ECal: 300 kHz to 18 GHz, 4 ports.

Includes:

Option 020 module with:

N4432-60003 4 x Type-N (f) ECal module

N4432A-xxx mixed-connector options:

Connector type	Port A option	Port B option	Port C option	Port D option
3.5 mm (f)	101	201	301	401
3.5 mm (m)	102	202	302	402
Type-N 50 ohm (f)	103	203	303	403
Type-N 50 ohm (m)	104	204	304	404

N4690B Microwave ECal: 300 kHz to 18 GHz, 2 ports.

Includes:

Option M0F module with:

N4690-60001 Type-N (f) to Type-N (m) ECal module

Option 00M module with:

N4690-60002 Type-N (m) to Type-N (m) ECal module

Option 00F module with:

N4690-60003 Type-N (f) to Type-N (f) ECal module

Option 00A adds:

85054-60037 Type-N (f) to Type-N (f) adapter

85054-60038 Type-N (m) to Type-N (m) adapter

Cables ²

Use the test port cables recommended for devices with 7 mm connectors, and 7 mm to Type-N adapters that are from the 85054B/D Type-N calibration kit (see 7 mm connector section).

1. Limits ECal module high frequency to 7.5 GHz.

2. Special rugged female connector specifically for connecting to the network analyzer test port, but does not mate with a standard male connector.

For devices with 7 mm connectors

Mechanical calibration kits

- 85050B** standard: DC to 18 GHz.
Includes:
 - 00909-60008 7 mm coax termination
 - 85050-60006 7 mm fixed broadband load
 - 85050-80007 7 mm short
 - 85050-80010 7 mm open
 - 85050-80011 7 mm sliding load
- 85050C** precision TRL: DC to 18 GHz.
Includes:
 - 00909-60008 7 mm coax termination
 - 85050-60003 7 mm to 7 mm airline
 - 85050-60005 7 mm to 7 mm TRL adapter
 - 85050-60006 7 mm fixed broadband load
 - 85050-80008 7 mm short
 - 85050-80009 7 mm short collet
 - 85050-80010 7 mm open
- 85050D** economy: DC to 18 GHz.
Includes:
 - 85050-60006 7 mm fixed broadband load
 - 85050-80007 7 mm short
 - 85050-80010 7 mm open

Electronic calibration kits

- N4696B** Microwave ECal: 300 kHz to 18 GHz, 2 ports, 7mm to 7mm Microwave module

Cables¹

- 85132C** single, semi-rigid: 7 mm to 3.5 mm (f), 81 cm, 32 inches²
- 85132D** set, semi-rigid: two 3.5 mm (f) to 7 mm cables, 53 cm each, 21 inches each², p/n 85132-60003
- 85132E** single, flexible: 7 mm to 3.5 mm (f), 97.2 cm, 38.25 inches²
- 85132F** set, flexible: two 3.5 mm (f) to 7 mm cables, 62.9 cm each, 24.75 inches each², p/n 85132-60004
- 85135C** single, semi-rigid: 7 mm to 2.4 mm (f), 81 cm, 32 inches
- 85135D** set, semi-rigid: two 2.4 mm (f) to 7 mm cables, 53 cm each, 21 inches each, p/n 85135-60001
- 85135E** single, flexible: 7 mm to 2.4 mm (f), 96 cm, 38 inches
- 85135F** set, flexible: two 2.4 mm (f) to 7 mm cables, 53 cm each, 21 inches each, p/n 85135-60002

Adapter sets

- 85130E** 2.4 mm¹ to 7 mm

For devices with waveguide

Mechanical calibration kits

X Band

- X11644A** standard, WR-90: 8.2 to 12.4 GHz.
Includes:
 - 00896-60008 X-band standard section
 - 00910-60003 X-band termination
 - 11644-20018 X-band short
 - 11644-20021 X-band shim
- 85132F** cable set (set, flexible 7 mm to 3.5 mm, 62.9 cm each, 24.75 inches each²)
- 85135F** cable set (set, flexible, 7 mm to 2.4 mm, 53 cm each, 21 inches each)
- X281C** adapter (included in calibration kit): WR-90 to 7 mm

P Band

- P11644A** standard, WR-62: 12.4 to 18 GHz.
Includes:
 - 00896-60007 P-band standard section
 - 00910-60002 P-band termination
 - 11644-20017 P-band short
 - 11644-20020 P-band shim
- 85132F** cable set (set, flexible, 7 mm to 3.5 mm, 62.9 cm each, 24.75 inches each²)
- 85135F** cable set (set, flexible, 7 mm to 2.4 mm, 53 cm each, 21 inches each)
- P281C** adapter (included in calibration kit): WR-62 to 7 mm

K Band

- K11644A** standard, WR-42: 18 to 26.5 GHz.
Includes:
 - 00896-60006 K-band standard section
 - 00910-60001 K-band termination
 - 11644-20016 K-band short
 - 11644-20019 K-band shim
- 85134F** cable set (set, flexible, 3.5 mm to 2.4 mm, 53 cm each, 21 inches each)
- K281C** adapter (included in calibration kit): WR-42 to 3.5 mm (f)
Option 012 WR-42 to 3.5 mm (m)

1. Special rugged female connector specifically for connecting to the network analyzer test port, but does not mate with a standard male connector.
2. For use with E8362C.

R Band

- R11644A** standard, WR-28: 26.5 to 40 GHz.
Includes:
 - 00914-20028 R-band termination
 - 11644-20005 R-band short
 - 11644-20003 R-band shim
 - 11644-60001 R-band 10 cm straight waveguide
 - 11644-60016 R-band 5 cm straight waveguide
- 85133F** cable set (set, flexible, 2.4 mm, 53 cm each, 21 inches each)
- R281A** adapter (2.4 mm (f) to WR-28 waveguide adapter)
- R281B** adapter (2.4 mm (m) to WR-28 waveguide adapter)

Q Band

- Q11644A** standard, WR-22: 33 to 50 GHz.
Includes:
 - 11644-60005 Q-band termination
 - 11644-20004 Q-band short
 - 11644-20001 Q-band shim
 - 11644-60002 Q-band 10 cm straight waveguide
 - 11644-60017 Q-band 5 cm straight waveguide
- 85133F** cable set (set, flexible, 2.4 mm, 53 cm each, 21 inches each)
- Q281A** adapter (2.4 mm (f) to WR-22 waveguide adapter)
- Q281B** adapter (2.4 mm (m) to WR-22 waveguide adapter)

U Band

- U11644A** standard, WR-19: 40 to 60 GHz.
Includes:
 - 11644-60006 U-band termination
 - 11644-20004 U-band short
 - 11644-20002 U-band shim
 - 11644-60003 U-band 10 cm straight waveguide
 - 11644-60018 U-band 5 cm straight waveguide

V Band

- V11644A** standard, WR-15: 50 to 75 GHz.
Includes:
 - 11644-60025 V-band termination
 - 11644-20015 V-band short
 - 11644-20013 V-band shim
 - 11644-60012 V-band standard section

Verification kits

All Agilent verification kits include:

- precision Z_0 airline or match thru
 - mismatched airline or mismatch thru
 - fixed attenuators
 - traceable measured data and uncertainties
- 85053B** 300 kHz to 26.5 GHz 3.5 mm kit
Includes attenuators, airline and mismatch airline with data on a 3.5-inch disk for use in confirming accuracy enhanced system measurement performance, traceable to national standards. Test procedure is provided in the service manual.
 - 85055A** 300 kHz to 18 GHz Type-N kit
Includes attenuators, airline and mismatch airline with data on a 3.5-inch disk for use in confirming accuracy enhanced system measurement performance, traceable to national standards. Test procedure is provided in the service manual.
 - 85057B** 45 MHz to 50 GHz 2.4 mm kit
Includes attenuators, airline and mismatch airline with data on a 3.5-inch disk for use in confirming accuracy enhanced system measurement performance, traceable to national standards. Test procedure is provided in the service manual.
 - 85058V** 45 MHz to 67 GHz 1.85 mm kit
Includes attenuators, match thru and mismatch thru with data on a 3.5-inch disk for use in confirming accuracy enhanced system measurement performance, traceable to national standards. Test procedure is provided in the service manual.

General Accessories

USB

- N4688A** CD-ROM drive
Provides an external read/write CD-ROM drive with a USB cable.
- N4689A** USB hub
Provides a USB hub for connecting additional USB peripherals.

Hard drive

- N8980A** spare hard drive
For use with 500 MHz Pentium III CPU board¹
Recommended for use in secure environments.
- N8981A** spare hard drive
For use with 1.1 GHz Pentium M CPU board¹
Recommended for use in secure environments.

Probe

- 85024A** high-frequency probe
Provides high-impedance in-circuit test capability from 300 kHz to 3 GHz.

Power meters and sensors¹

Recommended for self support, adjustments and performance tests to verify proper instrument operation.

- U2000A** USB power sensor, 10 MHz to 18 GHz
- U2001A** USB power sensor, 10 MHz to 6 GHz
- U2002A** USB power sensor, 50 MHz to 24 GHz
- U2004A** USB power sensor, 9 kHz to 6 GHz
- E4418B** single-channel power meter
- E4419B** dual-channel power meter
- 8481B** power sensor, 10 MHz to 18 GHz, Type-N (m), 25 W
- 8481A** power sensor, 10 MHz to 18 GHz, Type-N (m), 100 mW
- 8485A** power sensor, 50 MHz to 26.5 GHz, APC-3.5 mm (m), 100 mW
- 8487A** power sensor, 50 MHz to 50 GHz, 2.4 mm, 300 mW
- 8487D** power sensor, 50 MHz to 50 GHz, 2.4 mm, 100 mW
- R8486A** power sensor, 26 GHz to 40 GHz, waveguide flange UG-599/U, 100 mW
- Q8486A** power sensor, 33 GHz to 50 GHz, waveguide flange UG-383/U, 100 mW
- U8486A** power sensor, 50 GHz to 75 GHz, waveguide flange UG-385/U, 200 mW avg
- E4412A** CW power sensor, 10 MHz to 18 GHz, Type-N (m), 200 mW
- E4413A** CW power sensor, 50 MHz to 26.5 GHz, 3.5 mm, 200 mW

Amplifiers

- 83006A** power amplifier, 10 MHz to 26.5 GHz, 20 dB gain, power out: +18 dBm to 10 GHz or +16 dBm to 20 GHz or +14 dBm to 26.5 GHz
- 83017A** power amplifier, 50 MHz to 26.5 GHz, 25 dB gain, power out: +20 dBm to 20 GHz, or +15 dBm to 26.5 GHz
- 83018A** power amplifier, 2 to 26.5 GHz, 27 dB gain to 20 GHz or 23 dB to 26.5 GHz, power out: +24 dBm to 20 GHz or +21 dBm to 26.5 GHz
- 83020A** power amplifier, 2 to 26.5 GHz, 30 dB gain to 20 GHz or 27 dB to 26.5 GHz, power out: +30 dBm to 20 GHz or +26 dBm to 26.5 GHz
- 83050A** power amplifier, 2 to 50 GHz, 23 dB gain, power out: +20 dBm to 40 GHz or +17 dBm to 50 GHz
- 83051A** power amplifier, 45 MHz to 50 GHz, 23 dB gain power out: +12 dBm to 45 GHz or +10 dBm to 50 GHz

Couplers

- 87300B** coaxial coupler, 1 to 20 GHz, SMA (f), 10 dB coupling
- 87300C** coaxial coupler, 1 to 26.5 GHz, 3.5 mm (f), 10 dB coupling
- 87301B** coaxial coupler, 10 to 46 GHz, 2.92 mm (f), 10 dB coupling
- 87301D** coaxial coupler, 1 to 40 GHz, 2.4 mm (f) or optional 2.92 mm (f), 13 dB coupling
- 87301E** coaxial coupler, 2 to 50 GHz, 2.4 mm (f), 10 dB coupling
- 87310B** 90 ° coaxial coupler, 1 to 18 GHz, SMA (f), 3 dB coupling

Equipment rack accessories

- E3663AC** Rail kit
- 5063-9217** Rack mount kit, for use without handles (included with Option 1CM)
- 5063-9205** Front handle kit³
- 5063-9224** Rack mount kit with handles³
- 5063-9237** Rack mount kit, for use with standard supplied handles (included with Option 1CP)³

1. The 500 MHz CPU board has one USB port oriented vertically and a single GPIB port. The 1.1 GHz CPU board has four USB ports and two GPIB ports. For more information on this subject, refer to na.tm.agilent.com/pna/hdnumbers.html.

2. For the latest guide to power meters and power sensors, refer to the Agilent web site: www.agilent.com/find/powermeters

3. Front handles and Option 1CP (rack mount with handles) are not available for the N5242A.

Applications

Material measurements

- **85070E** High-Temperature Dielectric Probe Kit
The 85070E enables measurements of the dielectric properties of materials quickly and conveniently. Measurements made with this probe are nondestructive and require no sample preparation. The dielectric probe is well suited for measurements of liquid, semisolid and flat solid materials. Measurement results can be viewed in a variety of formats (ϵ'_r , ϵ''_r , $\tan \delta$ or Cole-Cole). The supplied software can be run in the PNA analyzer or on a PC.
- **85071E** Materials Measurement Software
The 85071E materials measurement software calculates the permittivity and permeability of material samples placed in a coaxial airline or a rectangular waveguide. The measurement technique works well for solid materials that can be machined to fit precisely inside a transmission line. Measurement results can be viewed in a variety of formats (ϵ'_r , ϵ_r , μ'_r , μ''_r , $\tan \delta$, or Cole-Cole μ). The software can be run in the PNA analyzer or on a PC.

Pulsed measurements¹

The pulsed RF measurement capability (Option H08) and IF access (Option H11), are recommended for pulsed measurements with the PNA Series.

Pulse/pattern generators

Recommended to provide pulse signals and timing to the pulsed S-parameter test set and MW PNA

- **81104A** Pulse/pattern generator, 80 MHz, single-/dual-channel with one or two Agilent 81105A output modules.
- **81110A** Pulse/pattern generator, 165 MHz, single-/dual-channel with one or two Agilent 81111A output modules.

Note: Each pulse/pattern generator must be ordered with its associated output modules depending on the measurement configuration.

Pulsed S-Parameter test sets

- **Z5623AH81** Pulsed S-parameter test set, 2 to 20 GHz
Includes a pin-diode switch to modulate the analyzer's internal source, an amplifier, and directional coupler to provide a pulsed reference to the analyzer.
- **Z5623AH83** Pulsed S-parameter test set, 2 to 20 GHz
Includes two pin switches for bi-directional (forward and reverse) pulsed-RF stimulus, and two directional couplers for the reference channels. It does not include internal amplifiers, but has front panel access loops for switching in external amplifiers to boost port power in both directions.

- **Z5623AH84** Pulsed S-parameter test set, 2 to 40 GHz
Includes two pin switches for bi-directional (forward and reverse) pulsed-RF stimulus, and two directional couplers for the reference channels. It does not include internal amplifiers, but has front panel access loops for switching in external amplifiers to boost port power in both directions.
- **Z5623AH86** Pulsed S-parameter test set, 2 to 40 GHz
Includes one pin switch to modulate the analyzer's internal source in the forward direction, and one directional coupler for the reference channel. It does not include internal amplifiers, but has front panel access loops for switching in an external amplifier to boost port power.
- **Z5623AH87** Pulsed S-parameter test set, 1 to 50 GHz
Includes two pin switches for bi-directional (forward and reverse) pulsed-RF stimulus. It does not include internal amplifiers, but has front panel access loops for switching in external amplifiers to boost port power in both directions.
- **Z5623AH89** Pulsed S-parameter test set, 10 MHz to 5 GHz
Includes one pin switch to modulate the analyzer's internal source in the forward direction. This test set has no internal amplifier, no reference channel variable attenuator, and no GPIB control (manual control only).
- **Z5623AH90** Pulsed S-parameter test set, 1 to 50 GHz
Same as Z5623AH87, but adds 50 GHz couplers to the front panel to allow DUT connection on the test set instead of using the PNA test ports.

Note: Pulse biasing can be achieved with or without the use of a pulsed S-parameter test set. A proper pulse-bias driver must be used. Contact your local Agilent Sales Representative for additional pulsed S-parameter test set configurations and details.

Peripherals

The following peripherals may be used with the Microwave PNA Series. Other peripherals not listed here may also be compatible with these instruments.

Monitors

VGA-compatible monitor

Printers

USB, LAN, parallel or serial printers with Microsoft® Windows® printer driver

Interface cables

Choose the appropriate cables to connect each peripheral to the network analyzer.

- **10833A** GPIB cable, 1.0 m (3.3 ft)
- **10833B** GPIB cable, 2.0 m (6.6 ft)
- **10833D** GPIB cable, 0.5 m (1.6 ft)
- **82357B** GPIB to USB interface

1. For more details regarding pulsed measurement configurations with the PNA Series, refer to Agilent's Web site (www.agilent.com/find/pna) to download a copy of the *Microwave PNA Series Network Analyzer Configuration Guide for Pulsed Measurements*, literature number 5989-7913EN.

Upgrade Kits

Upgrade kits for the PNA Series E8361C, E8362C, E8363C, E8364C, N5250C

Upgrade kits are available to add options after initial purchase. To order an upgrade kit for the PNA series, order the analyzer's model number followed by a "U", then indicate the option to be added (for example, E8362CU-010). The current configuration and serial number of the instrument to be retrofitted are required as part of the order.

- Time-domain** (Option 010)
User installable.
- Configurable test set** (Option 014)
Provides six front-panel RF access loops.
Includes installation at an Agilent service center.
- Receiver attenuators** (Option 016)
Includes installation at an Agilent service center.
- Frequency range upgrade to an E8363C (40 GHz) PNA** (Option 040)
Available only for the E8362C. Includes installation at an Agilent service center.
- Frequency range upgrade to an E8364C (50 GHz) PNA** (Option 050)
Available only for the E8362C and E8363C.
Includes installation at an Agilent service center.
- Frequency range upgrade to an E8361C (67 GHz) PNA** (Option 067)
Available only for the E8363C and E8364C.
Includes installation at an Agilent service center.
- Frequency-offset** (Option 080)
Includes installation at an Agilent service center.
- External reference switch** (Option 081)
Includes installation at an Agilent service center.
- Scalar-calibrated converter measurements** (Option 082)
User installable. Option 080 required.
- Frequency converter measurement application** (Option 083)
User installable. Option 080 and 081 required.
- Embedded LO Measurements** (Option 084)
Advanced software tuning that provides absolute group delay of converters with embedded LOs without the need for access to a common reference signal. The measurement result is the same as locking the DUT LO to the reference mixer LO. (Options 080 and 083 required) Requires firmware A.07.05 and above plus 1.1 GHz CPU board.
- 4-Port measurement application** (Option 550)
(Available for E8361C, E8362C/3C/4C)
Enables full 4-port error correction and differential measurements. Option 014 and external test set required.
User installable.
- N-port capabilities** (Option 551)
(Available for E8361C, E8362C/3C/4C)
Adds full N-port error correction and measurement capabilities. Option 014 and external test set required.
User installable.
- Extended power range** (Option UNL)
Adds a step attenuator and a bias-tee between source and each test port. Includes installation at an Agilent service center.
- Pulsed-RF measurement capability** (Option H08)
Provides software to set up and control pulsed-RF measurements using narrowband detection, with point-in-pulse and pulse-profile capability. User installable.
- IF access** (Option H11)
Provides hardware for antenna, point-in-pulse, and millimeter-wave measurements. Adds rear-panel RF and LO outputs, external IF inputs, and IF gates (gates enabled with Option H08). Includes installation at an Agilent service center.
- High-power test set** (Option H85)
Removes bias tees for higher test port power-handling capability. Options UNL, 014, 016, 080, and 081 are required. Includes installation at an Agilent Service Center.

Calibration Software Licenses

- Perpetual license for built-in performance test software for Agilent inclusive cal (Option 897)**
Adds built-in performance testing and calibration software for self-maintainers. Requires additional equipment. See the analyzer's Service Guide for more information on equipment required.
- Perpetual license for built-in performance test software for standards compliant cal (Option 898)**
Adds built-in performance testing and calibration software for self-maintainers. Requires additional equipment. See the analyzer's Service Guide for more information on equipment required.

Upgrade kits for the PNA-L Series N5230C

Upgrade kits are available to add options after initial purchase. To order an upgrade kit for the PNA-L series, order the analyzer's model number followed by a "U", then indicate the option to be added (example: N5230CU-010). The serial number of the instrument to be retrofitted is required as part of the order.

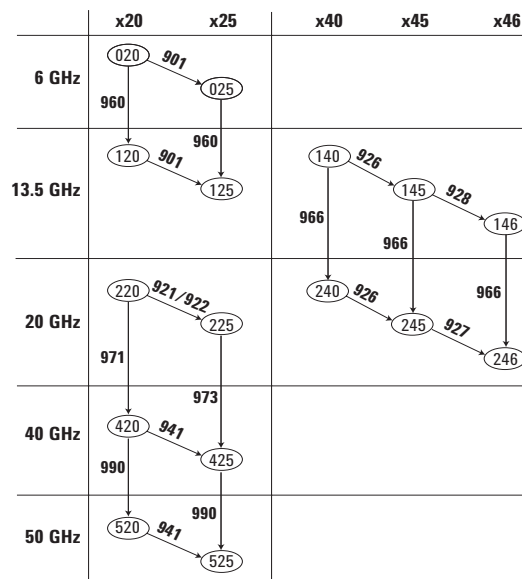
- Time-domain upgrade kit (Option 010)**
The serial number of the instrument to be retrofitted must be specified when ordering this kit. User installable.
- Frequency-offset upgrade kit (Option 080)**
The serial number of the instrument to be retrofitted must be specified when ordering this kit. User installable.
- Scalar-calibrated converter measurements (Option 082)**
User installable. Option 080 required.
- 4-port measurement application (Option 550)**
Enables full 4-port error correction and differential measurements on a 2-port network analyzer with configurable test set (Option x25). External test set required. User installable.
- N-port capabilities (Option 551)**
Adds full N-port error correction and measurement capabilities to PNA-L with configurable test set (Option xx5 or x46). External test set required. User installable.
- 6 or 13.5 GHz configurable test set & extended power range upgrade kit (Option 901)**
Applicable to 6 or 13.5 GHz PNA-L (N5230C-020, N5230C-120). Upgrade to configurable test set and extended power range. Includes installation at an Agilent service center.
- 20 GHz 2-port configurable test set & extended power range upgrade kit (Option 922)**
Applicable to 20 GHz PNA-L (N5230C-220) Upgrade to configurable test set and extended power range. Includes installation at an Agilent service center.
- 13.5 or 20 GHz 4-port configurable test set & extended power range upgrade kit (Option 926)**
Applicable to 20 GHz 4-port PNA-L (N5230C-140, N5230C-240). Upgrade to configurable test set and extended power range. Includes installation at an Agilent service center.
- 13.5 GHz 4-port configurable test set, extended power range & internal second source upgrade kit (Option 928)**
Applicable to 13.5 GHz 4-port PNA-L (N5230C-145). Upgrade to configurable test set, extended power range and internal second source. Includes installation at an Agilent service center. (Option 080 recommended. Please note, Option 080 is needed in order to have independent control of the two internal sources.)

Calibration Software Licenses

- Perpetual license for built-in performance test software for Agilent inclusive cal (Option 897)**
Adds built-in performance testing and calibration software for self-maintainers. Requires additional equipment. See the analyzer's Service Guide for more information on equipment required.
- Perpetual license for built-in performance test software for standards compliant cal (Option 898)**
Adds built-in performance testing and calibration software for self-maintainers. Requires additional equipment. See the analyzer's Service Guide for more information on equipment required.

- 20 GHz 4-port configurable test set, extended power range & internal second source upgrade kit (Option 927)**
Applicable to 20 GHz 4-port PNA-L (N5230C-245). Upgrade to configurable test set, extended power range and internal second source. Includes installation at an Agilent service center. Option 080 recommended.
- 40 or 50 GHz configurable test set & extended power range upgrade kit (Option 941)**
Applicable to 40 or 50 GHz PNA-L (N5230C-420, N5230C-520). Upgrade to configurable test set and extended power range. Includes installation at an Agilent service center.
- Frequency range upgrade from 6 to 13.5 GHz (Option 960)**
Applicable to the 6 GHz PNA-L (N5230C-020, N5230C-025). Includes installation at an Agilent service center.
- Frequency range upgrade from 13.5 to 20 GHz (Option 966)**
Applicable to the 13.5 GHz 4-port PNA-L (N5230C-140, N5230C-145, N5230C-146). Includes installation at an Agilent service center.
- Frequency range upgrade from 20 to 40 GHz (Option 971)**
Applicable to the 20 GHz PNA-L (N5230C-220). Includes installation at an Agilent service center.
- Frequency range upgrade from 20 to 40 GHz (Option 973)**
Applicable to the 20 GHz PNA-L (N5230C-225). Includes installation at an Agilent service center.
- Frequency range upgrade from 40 to 50 GHz (Option 990)**
Applicable to the 40 GHz PNA-L (N5230C-420, N5230C-425). Includes installation at an Agilent service center.

For additional upgrade paths, contact your Agilent field office.



PNA-L upgrade path examples.

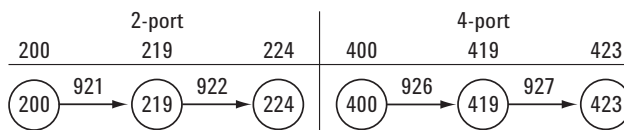
Upgrade kits for the PNA-X N5242A

Upgrade kits are available to add options after initial purchase. To order an upgrade kit for the PNA-X, order the analyzer's model number followed by a "U", then indicate the option to be added (example: N5242AU-010). The model and serial numbers of the instrument to be retrofitted are required as part of the order.

- Pulse measurements** (Option H08)
User installable.
- Time-domain** (Option 010)
User installable.
- Add IF inputs for antenna and millimeter-wave** (Option 020)
User installable.
- Add pulse modulator to internal 1st source** (Option 021)
User installable.
- Add pulse modulator to internal 2nd source** (Option 022)
User installable. Option 224 or 400 required.
- Add four internal pulse generators** (Option 025)
User installable.
- Frequency offset** (Option 080)
User installable.
- Scalar-calibrated converter measurements** (Option 082)
User installable. Option 080 required, and can not be ordered with Option 083.
- Frequency converter measurements** (Option 083)
User installable. Option 080 required, and can not be ordered with Option 082.
- Embedded LO measurements** (Option 084)
User installable. Options 080 and 083 required. Requires firmware A.07.50 and above.
- Gain compression application** (Option 086)
User installable. Requires firmware A.08.00 and above.
- N-port capabilities** (Option 551)
User installable.
- Perpetual license for built-in performance test software for Agilent inclusive calibration** (Option 897)
User installable. Additional hardware required.
- Perpetual license for built-in performance test software for standards compliant calibration** (Option 898)
User installable. Additional hardware required.
- 2 ports, extended power range and bias-tees** (Option 921)
Applicable to 2-port model only (N5242A-200). This upgrade adds one 65 dB source attenuator, one 35 dB receiver attenuator, and one bias-tee to each test port. Includes installation at an Agilent service center. Option 200 required.

- 2 ports, add an internal 2nd source, a combiner & mechanical switches** (Option 922)
Applicable to 2-port models only (N5242A-200, N5242A-219). This upgrade adds an internal second source, a combiner and mechanical switches. Access to the second source is available through two output (SMA) connectors on the front panel. Includes installation at an Agilent service center. Options 200, 219 and 080 required.
- Fully corrected noise figure measurements, 2-port** (Option 924)
Adds fully-corrected noise figure measurements to 2-port analyzer. Includes installation at an Agilent Service Center. Option 219 or 224 required.
- 4 ports, extended power range and bias-tees** (Option 926)
Applicable to 4-port model only (N5242A-400). This upgrade adds one 65 dB source attenuator, one 35 dB receiver attenuator, and one bias-tee to each test port. Includes installation at an Agilent service center. Option 400 required.
- 4 ports, add an internal combiner & mechanical switches** (Option 927)
Applicable to 4-port models only (N5242A-400, N5242A-419). This upgrade adds a combiner and mechanical switches. Includes installation at an Agilent service center. Options 400, 419 and 080 required.
- Fully corrected noise figure measurements, 4-port** (Option 929)
Adds fully-corrected noise figure measurements to 4-port analyzer. Includes installation at an Agilent Service Center. Option 419 or 423 required.

N5242A PNA-X upgrade path



Remove all doubt

Your equipment restored to like new performance, returned on time



Agilent Email Updates

www.agilent.com/find/emailupdates

Get the latest information on the products and applications you select.



Agilent Direct

www.agilent.com/find/quick

Quickly choose and use your test equipment solutions with confidence.

Key Web Resources

Visit our Web sites for additional product information and literature:

www.agilent.com/find/pna

Electronic calibration (ECal) visit:

www.agilent.com/find/ecal

Material test equipment:

www.agilent.com/find/materials

Test and measurement accessories:

www.agilent.com/find/accessories

Antenna and radar cross-section products visit:

www.agilent.com/find/antenna

Multiport test sets visit:

www.agilent.com/find/multiport

Pulsed-RF products visit:

www.agilent.com/find/pulsedRF

On-wafer and in-fixture measuring products visit:

www.agilent.com/find/probingRF

Agilent's service and support products visit:

www.agilent.com/find/tm_services

Expand your measurement capabilities with Agilent qualified channel partners

Our channel partners offer accessories and measurement solutions that extend your network analysis capabilities.

For more information about probing equipment and accessories, contact:

Cascade Microtech, Inc

2430 NW 206th Avenue

Beaverton, Oregon 97006, USA

Toll free telephone: 1-800-550-3279

Telephone: (503) 601-1000

Fax: (503) 601-1002

Web site: www.cascademicrotech.com

E-mail: sales@cmicro.com

Pentium® is a U.S. registered trademark of Intel Corporation.
Microsoft® and Windows® are registered trademarks of Microsoft Corporation.

www.agilent.com

For more information on Agilent Technologies' products, applications or services, please contact your local Agilent office. The complete list is available at:

www.agilent.com/find/contactus

Americas

Canada	(877) 894-4414
Latin America	305 269 7500
United States	(800) 829-4444

Asia Pacific

Australia	1 800 629 485
China	800 810 0189
Hong Kong	800 938 693
India	1 800 112 929
Japan	0120 (421) 345
Korea	080 769 0800
Malaysia	1 800 888 848
Singapore	1 800 375 8100
Taiwan	0800 047 866
Thailand	1 800 226 008

Europe & Middle East

Austria	0820 87 44 11
Belgium	32 (0) 2 404 93 40
Denmark	45 70 13 15 15
Finland	358 (0) 10 855 2100
France	0825 010 700* *0.125 €/minute
Germany	01805 24 6333** **0.14€/minute
Ireland	1890 924 204
Israel	972-3-9288-504/544
Italy	39 02 92 60 8484
Netherlands	31 (0) 20 547 2111
Spain	34 (91) 631 3300
Sweden	0200-88 22 55
Switzerland	0800 80 53 53
United Kingdom	44 (0) 118 9276201

Other European Countries:

www.agilent.com/find/contactus

Revised: March 27, 2007

Product specifications and descriptions in this document subject to change without notice.

© Agilent Technologies, Inc. 2008

Printed in USA, April 24, 2008

5989-7606EN



Agilent Technologies